



未蓝



FD300

FD300GS

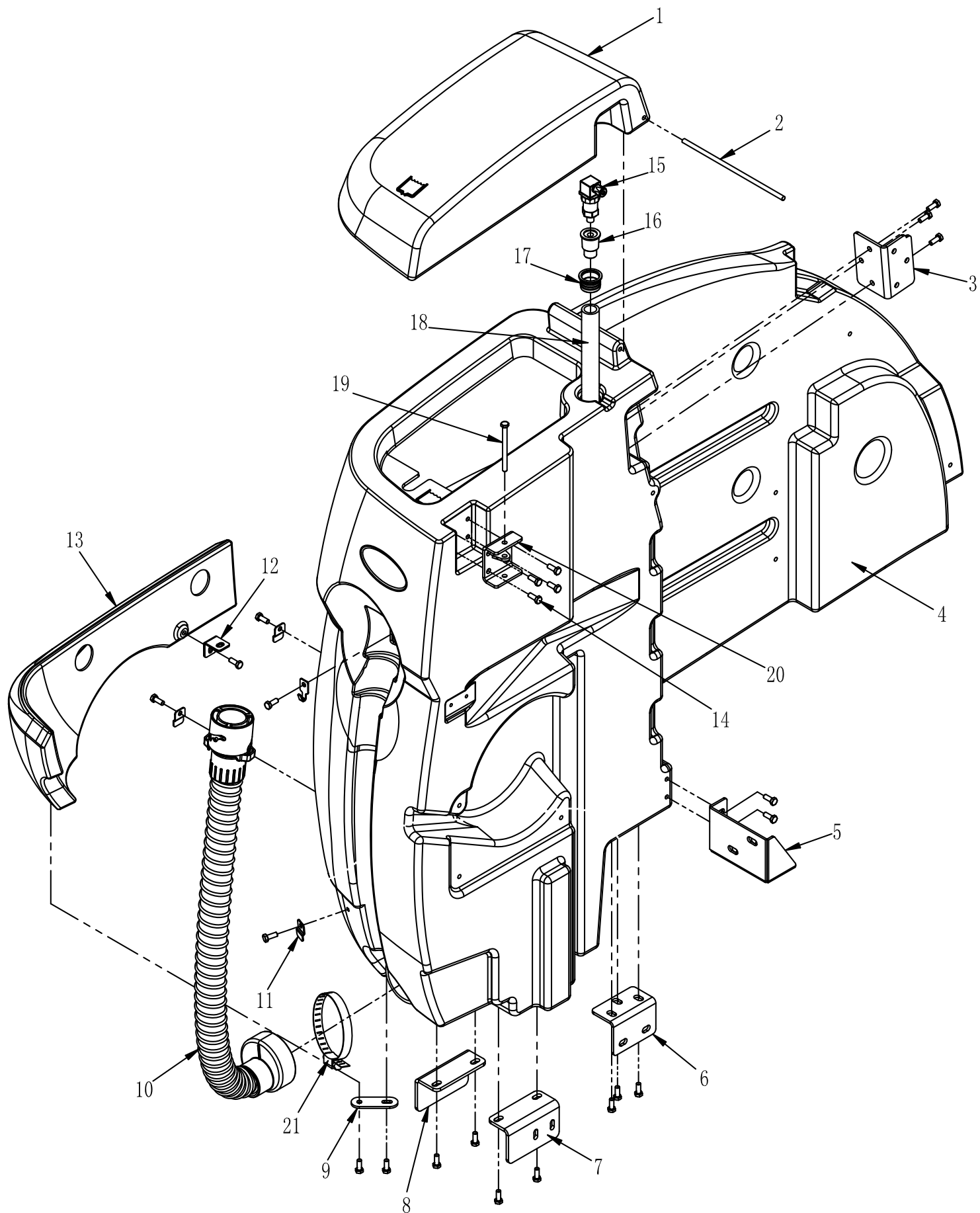
RIDE ON FLOOR SCRUBBER

MANUAL BOOK

2019 年 10 版



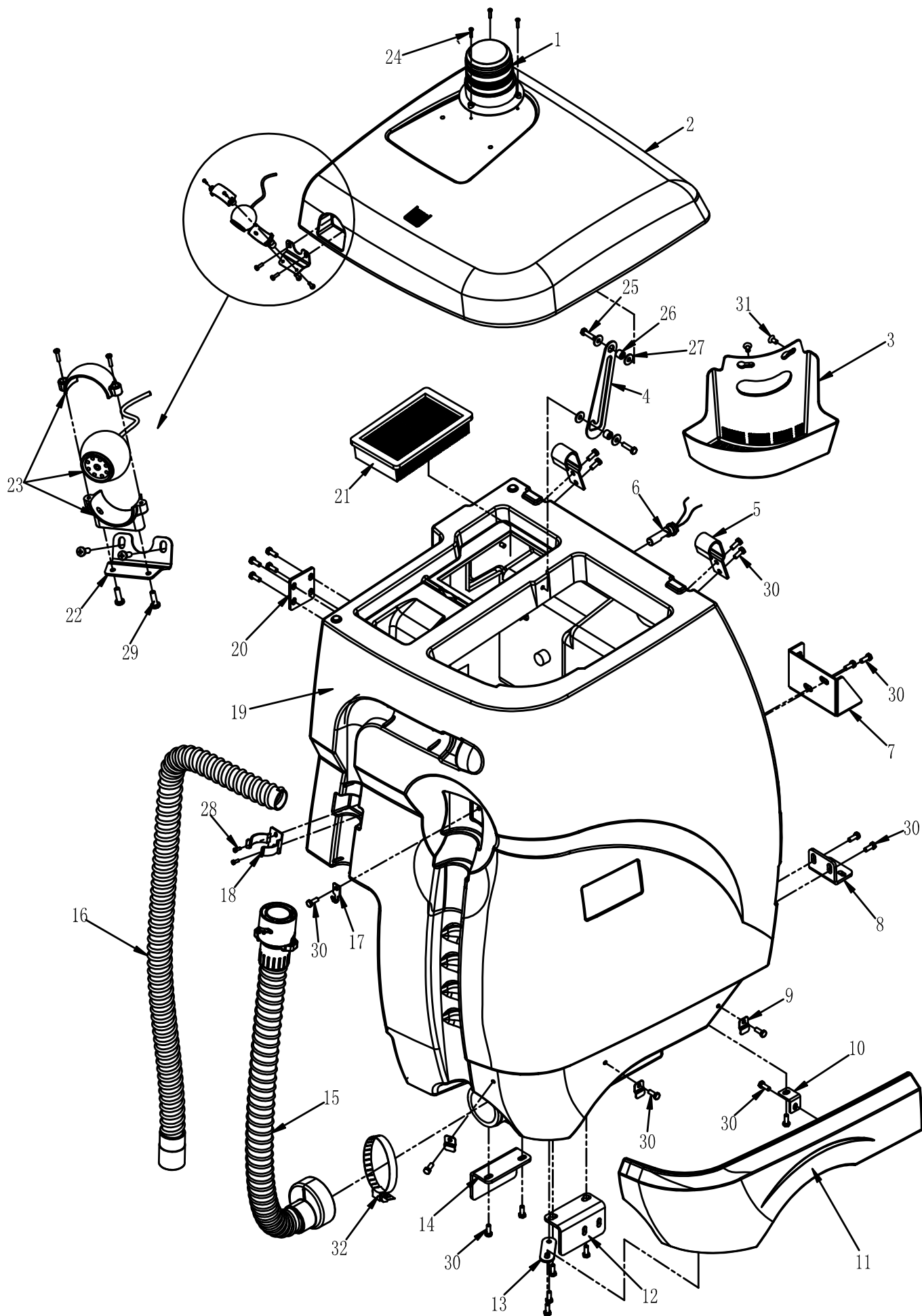
SOLUTION TANK GROUP (STANDARD)



SOLUTION TANK GROUP (STANDARD)

REF	PART	DESCRIPTION	NO
1	FD3001722	Solution tank cover	1
2	FD3001619	Fix pin,Solution tank cover	1
3	FD3001620	Tank reinforcing	1
4	FD3001717	Solution tank	1
5	FD3001621	Connection ,solution tank	1
6	FD3001624	Mounting,solution tank	1
7	FD3001625	Tank fitting,right	1
8	FD3001626	Tank fitting,left	1
9	FD3001622	Rear bumper pad	1
10	FD3001732	Outlet pipe	1
11	FD3001627	Mouting,Rear bumper,1	3
12	FD3001628	Mouting,Rear bumper,2	1
13	FD3001718	Left rear bumper	1
14	933	M8*20 hex screw	23
15	FD3001812	Water level sensor	1
16	FD3001745	Connection Water level sensor	1
17	FD3001915	Gasket Water level sensor	1
18		Water pipe	1
19	933	M8*90 Hex screw	1
20	FD30016102	Mouting, solution tank	1
21	FD1301667	Hoop	1

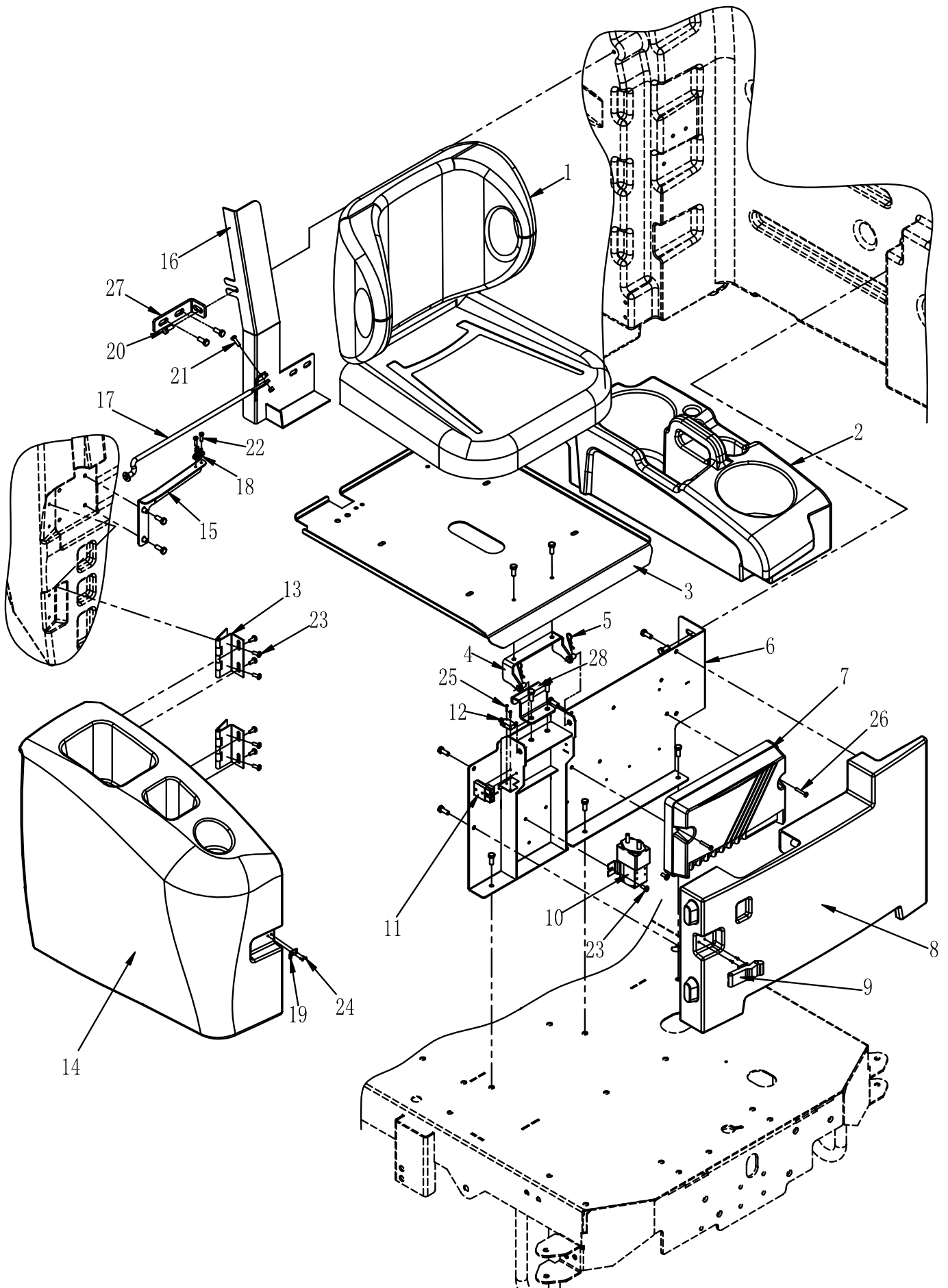
RECOVERY TANK



RECOVERY TANK

REF	CODE	DESCRIPTION	QTY
1	FD3001805	Alarm lamp	1
2	FD3001721	Recovery tank cover	1
3	XDT207004	Garbage basket	1
4	FD3001629	Hook,Recovery tank cover	1
5	FD1301628	Buckle,Recovery tank cover	2
6	FD3001806	Water level sensor	1
7	FD3001621	Connection,recovery tank	1
8	FD3001630	Corner reinforcement,recovery tank	1
9	FD3001627	Mouting,Rear bumper	3
10	FD3001628	Mouting,Rear bumper	1
11	FD3001725	Right rear bumper	1
12	FD3001625	Mouting, solution tank,right	1
13	FD3001622	Rear bumper pad	1
14	FD3001626	Mouting, solution tank,left	1
15	FD3001732	Outlet pipe	1
16	FD3001733	Suction pipe	1
17	FD3001631	Hose hook	1
18	670016	Pipe clip	1
19	FD3001720	Recovery tank	1
20	FD3001632	Mouting,recovery tank	1
21	FD3001905	Foam filter	1
22	FD3001633	Camera base board	1
23	FD3001807	Camera	1
24	845	Φ4.2*20 self-tapping screw	3
25	933	M8*25hex screw	2
26	FM006	Φ12*Φ16*5.5powder metallurgy	2
27	PD008	Gasket	4
28	933	M6*16 Hex screw	2
29	818	M5*16 Half head screw	4
30	933	M8*20 Hex screw	23
31	7991	M8*16 socket cap screw	2
32	FD1301667	Hoop	1

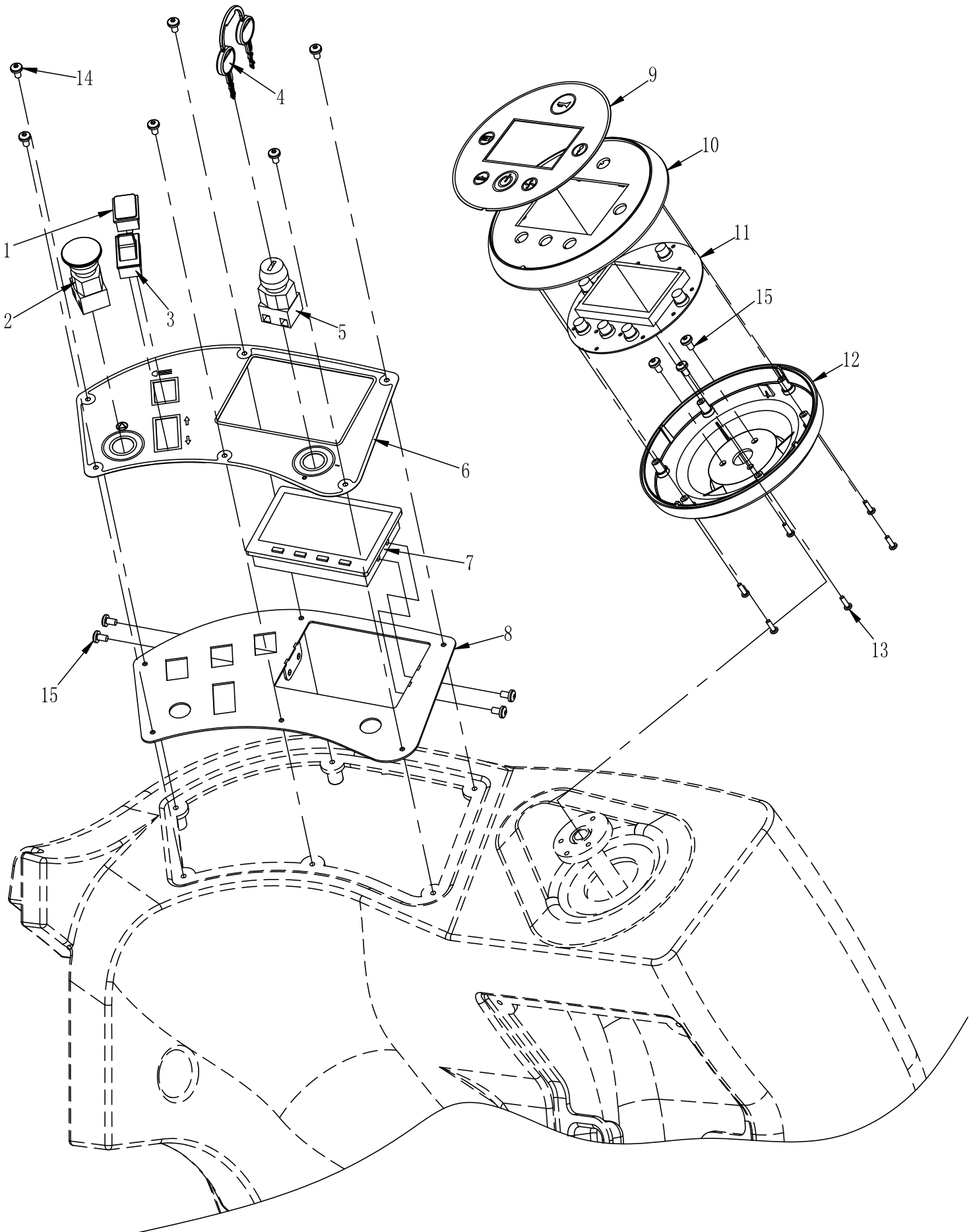
SEAT GROUP



SEAT GROUP

REF	CODE	DESCRIPTION	QTY
1	FD3001906	SEAT	1
2	FD3001723	Left storage box	1
3	FD3001635	Seat plate	1
4	FD3001636	Bolt	1
5	190020	Spring pin	2
6	FD3001637	Electrical mounting plate	1
7	FD3001803	Controller	1
8	FD3001728	Electrical plate	1
9	570010	Bolt	1
10	FD3001815	DC contactor	1
11	970002	Plug	1
12	180023	Clubfoot switch	1
13	360001	Hinge	2
14	FD3001726	Right storage box	1
15	FD3001640	Bracket support	1
16	FD3001641	Storage tray	1
17	FD1301646	Support pole	1
18	FD3001707	Cushion pole clamp	1
19	560003	Fix bolt	1
20	933	M8*20 Hex screw	20
21	933	M6*25 Hex screw	1
22	818	M4*16 Cross half head screw	2
23	818	M6*14 Cross half head screw	12
24	818	M5*12 Cross half head screw	4
25	818	M3*25 Cross half head screw	2
26	818	M5*35 Cross half head screw	2
27	FD30016110	Connector, tank	1
28	FD30016124	Seat plate	1

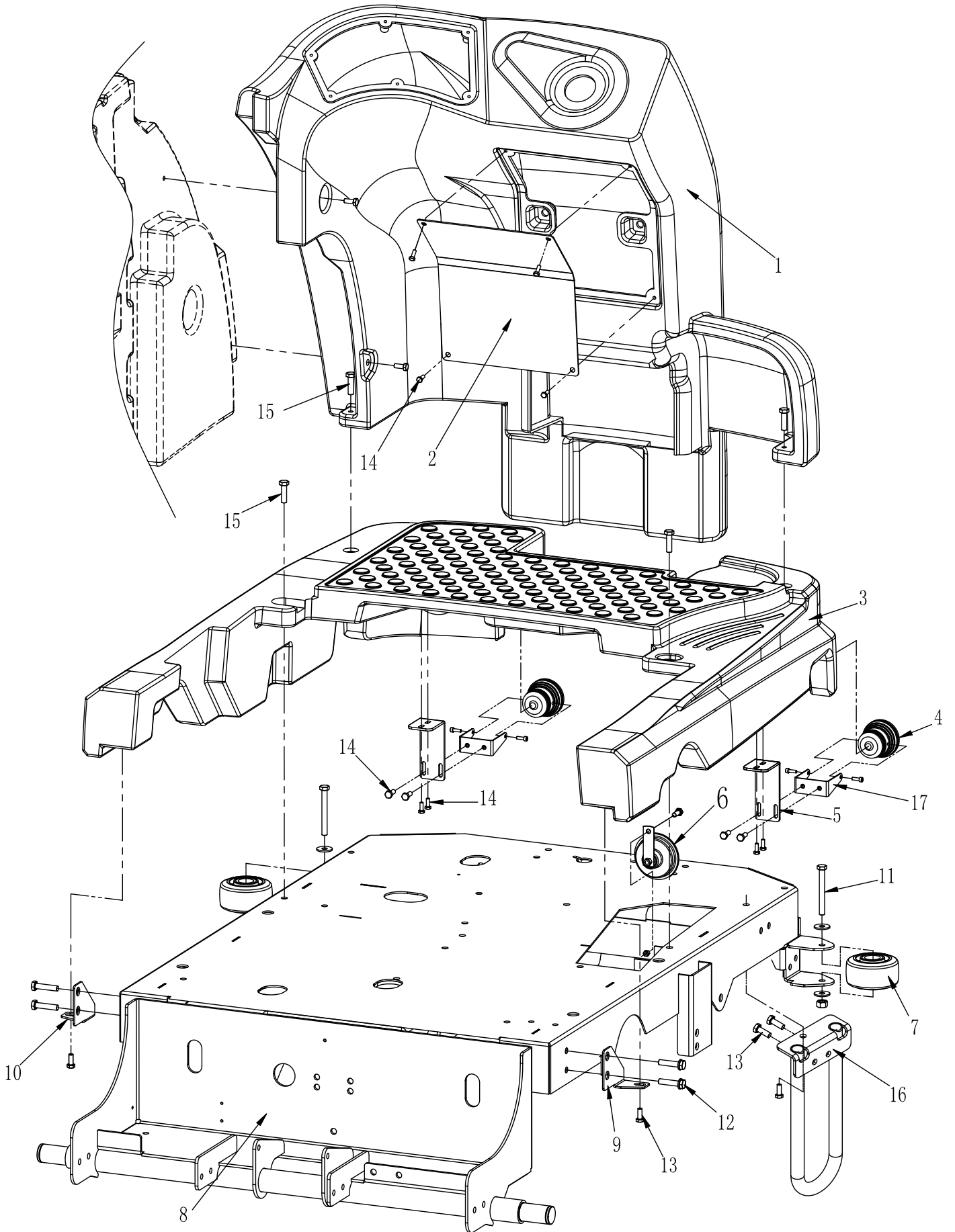
CONTROL PANEL GROUP



CONTROL PANEL GROUP

REF	CODE	DESCRIPTION	QTY
1	FD3001817	LIGHT SWITCH	1
2	FD1301803	STOP SWITCH	1
3	XDT280009	BACK SWITCH	1
4	FD1301804	KEY	2
5	FD1301801	LOCK	1
6	TB0092	Switch panel sticker	1
7	FD3001808	Reversing PANEL	1
8	FD3001642	Switch panel	1
9	TB0090	Panel sticker	1
9	FD3001923	Panel shading sticker	1
10	FD3001734	Panel cover	1
11	FD3001804	Panel	1
12	FD3001735	Under panel cover	1
13	845	Φ4.2*12 tapping screw	6
14	818	M5*12 Cross head screw	6
15	818	M6*12 Cross head screw	7

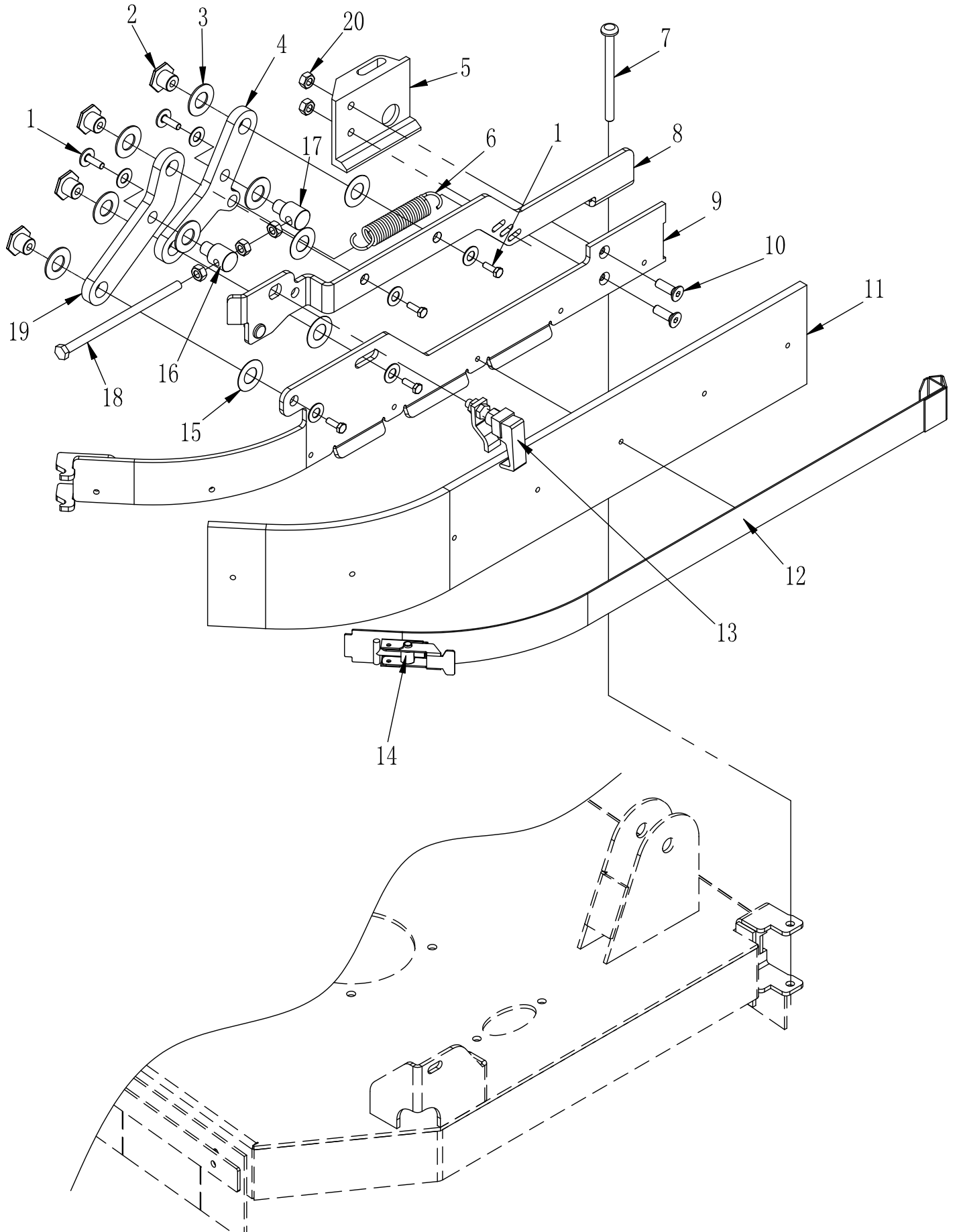
FRAME GROUP



FRAME GROUP

REF	CODE	DESCRIPTION	QTY
1	FD3001724	Front shade	1
2	FD3001643	Front cover plate	1
3	FD3001729	Pedal	1
4	FD3001810	LED light	2
5	FD3001644	LED light bracket	2
6	780046	Black Buzzy	1
7	590041	Wheel core	2
8	FD3001645	Frame	1
9	FD3001646	Pedal bracket right	1
10	FD3001647	Pedal braket left	1
11	933	M12*100 Hex screw	2
12	933	M10*20 Hex screw	4
13	933	M8*20 Hex screw	3
14	933	M6*16 Hex screw	16
15	933	M10*35 Hex screw	4
16	FD30016114	Right,Collision avoidance holder	1
17	FD30016125	LED light connection	2

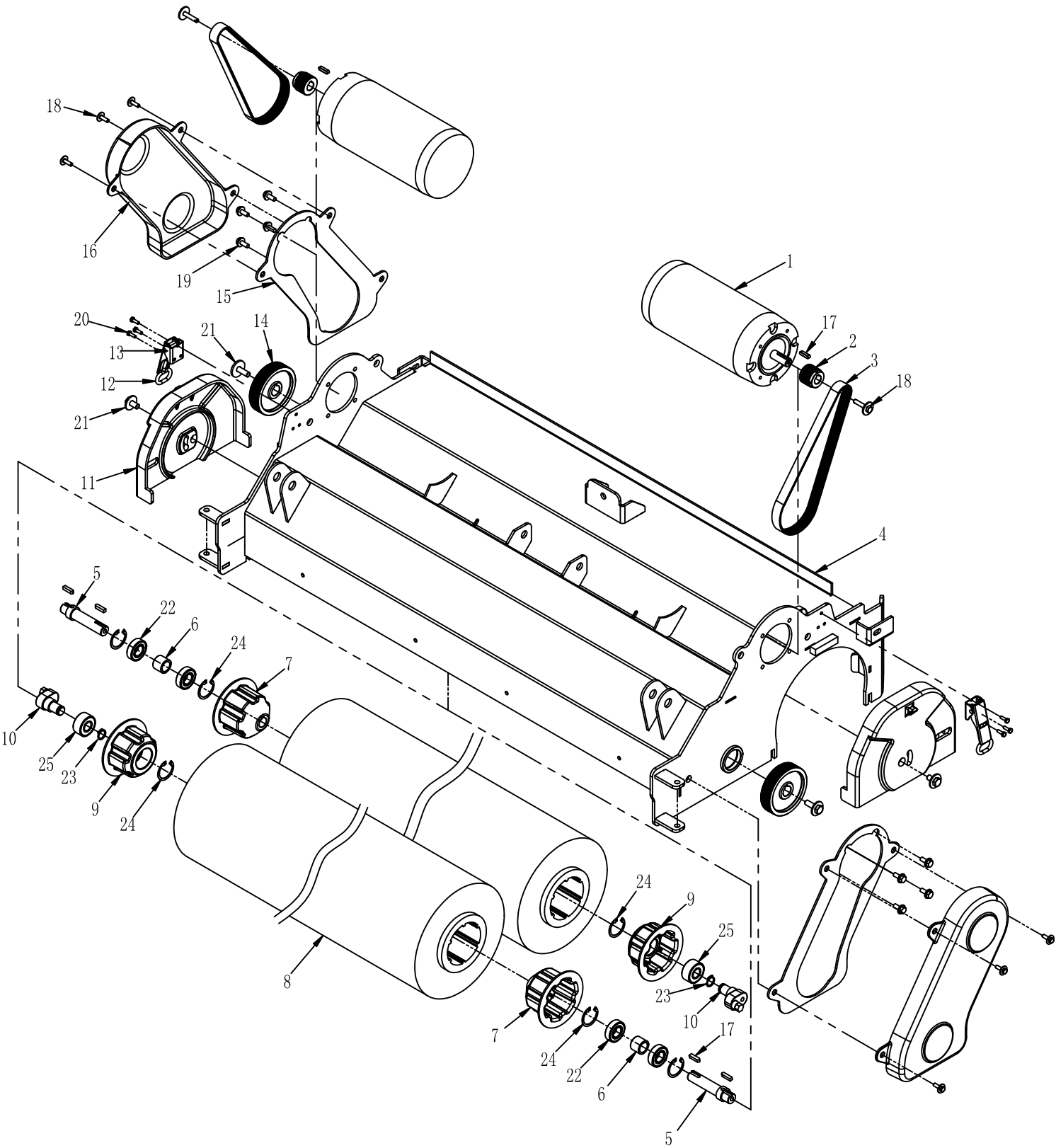
LEFT AND RIGHT WATER FENDER GROUP



LEFT AND RIGHT WATER FENDER GROUP

REF	CODE	DESCRIPTION	QTY
1	933	M8*16 Hex screw	12
2	FD3001699	Side cover,connector,holder	8
3	PD0021	Nylon Gasket	12
4	FD3001653A	Side blade,installation parts A	2
5	FD3001715 左	Side cover holder left	1
5	FD3001715 右	Side cover holder right	1
6	T180001	Side brush,spring	2
7	933	M8*110 Hex spring	2
8	FD3001651	Bolt,installation parts,right	1
8	FD3001652	Bolt,installation parts,left	1
9	FD3001648	Fender blade plate,right	1
9	FD3001649	Fender blade plate,left	1
10	7991	M8*25socket cap screw	4
11	FD3001736	Blade	2
12	FD3001650	Stainless steel batten	2
13	FD3001617	Bolt components	2
14	FD3001665	T screw	2
14	XDT206013	PIN	2
14	XDT206009	large shaft sleeve	2
14	FD1301611	Batten Buckles	2
15	PD0023	Transparent gasket	4
16	FD30016116	Water fender Connecting rod regulator 1 (直孔)	2
17	FD30016117	Water fender Connecting rod regulator 2 (M8)	2
18	933	M8*150 Hex screw	2
19	FD3001653B	Side blade,installation parts B	2
20	934	M8 Hex Nut	10

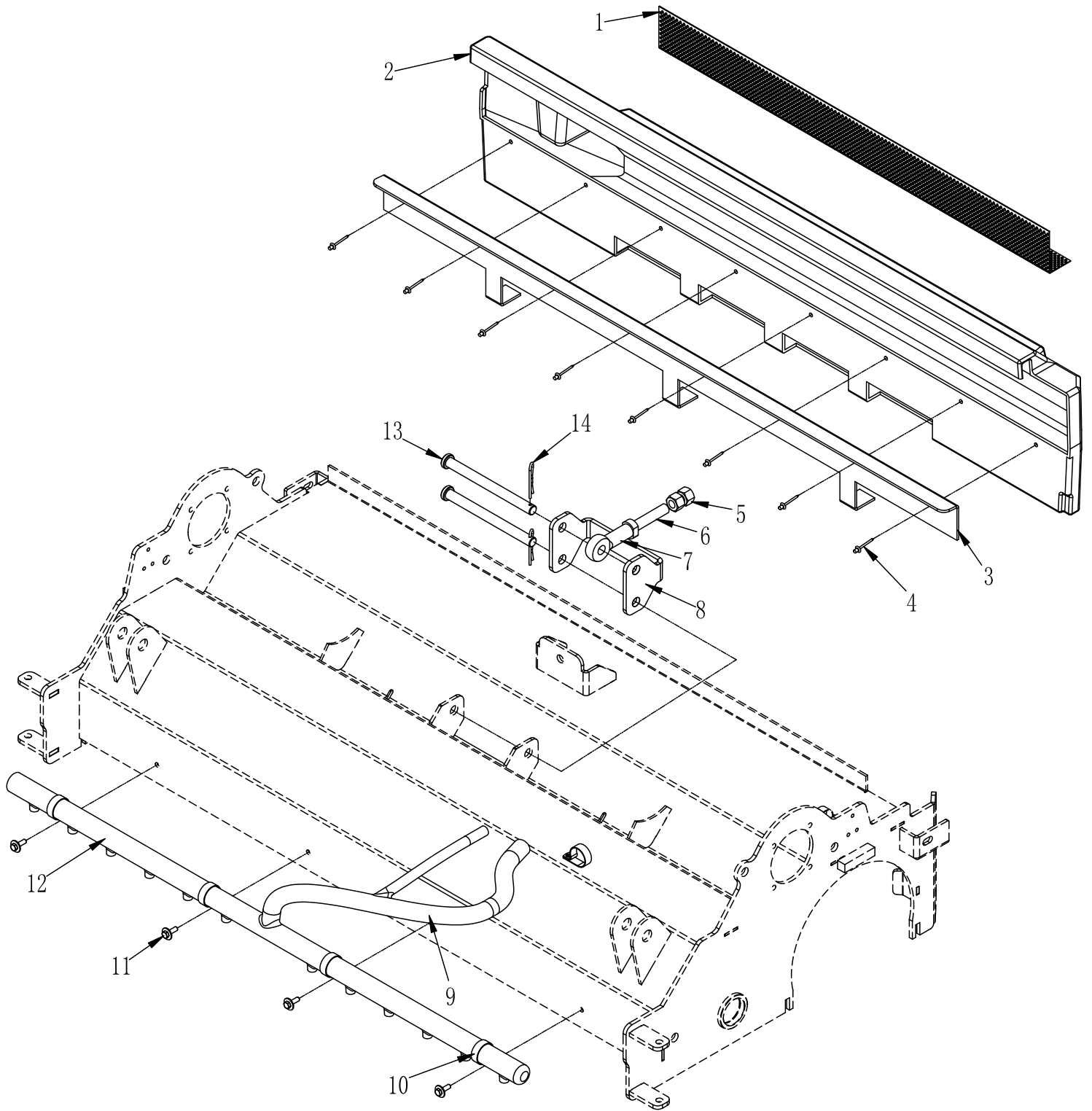
滚刷系统刷盖组



滚刷系统刷盖组

序号	编 号	产 品 描 述	数 量
1	XDT280005	滚刷电机	2
2	FD3001616	皮带轮 小	2
3	FD3001909	滚刷皮带	2
4	FD3001654	滚刷盖	1
5	FD3001655	滚刷安装轴	2
6	FD3001656	滚刷机上轴套	2
7	FD3001618	带动器	2
8	FD3001910	滚刷	2
9	FD3001613	偏心轴上带动器	2
10	XDT206006	滚刷机带动轴	2
11	FD3001614	滚刷边盖	2
12	FD1301675	搭扣螺丝	2
13	XDT206004	搭扣	2
14	FD3001615	皮带轮 大	5
15	FD3001911	皮带罩壳海绵垫	2
16	FD3001706	皮带罩壳	2
17		5*20 平键	6
18	933	M6*20 外六角螺丝	6
19	933	M6*16 外六角螺丝	8
20	933	M4*12 外六角螺丝	6
21	933	M8*25 外六角螺丝	4
22	127	6003 轴承	4
23	893#	Φ15 轴卡	2
24	893#	Φ32 孔卡	6
25	132	3202 轴承	2

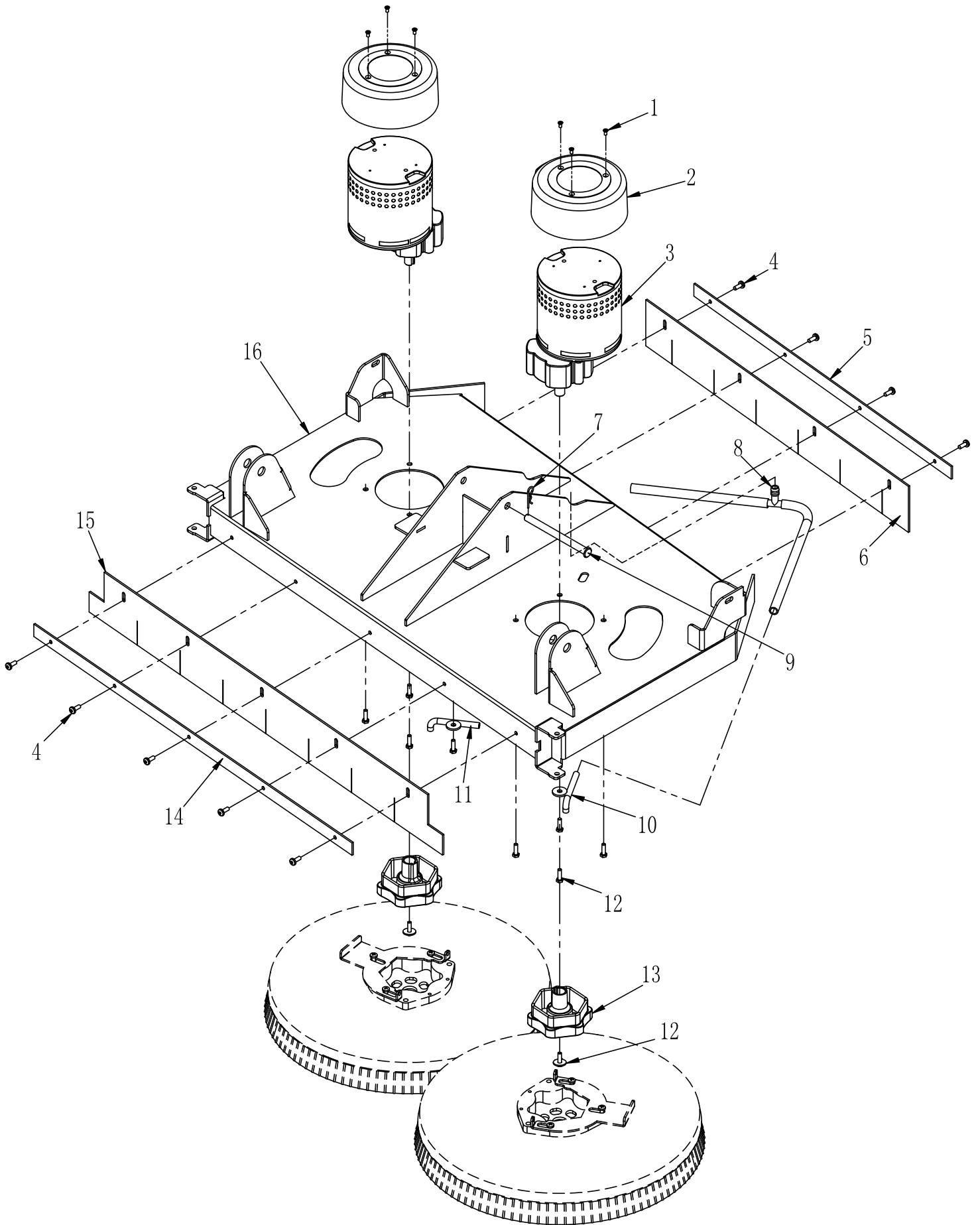
滚刷系统垃圾箱组



滚刷系统垃圾箱组

序号	编号	产品描述	数量
1	FD3001658	垃圾滤网	1
2	FD3001727	垃圾筐	1
3	FD3001657	垃圾箱刮板	1
4	FD1301916	5*14*16 抽芯铆钉	8
5	934	M12 螺母	2
6		M12 螺杆	1
7	FD1301910	调心轴承	1
8	FD3001659	调心轴承连接件	1
9		水管	1
10	FD1301913	滴水管抱箍	5
11	933	M6*20 外六角螺丝	2
12	FD3001912	滴水管	1
13	FD30016104	升降机构销子 01	2
14	190019	弹簧销	2

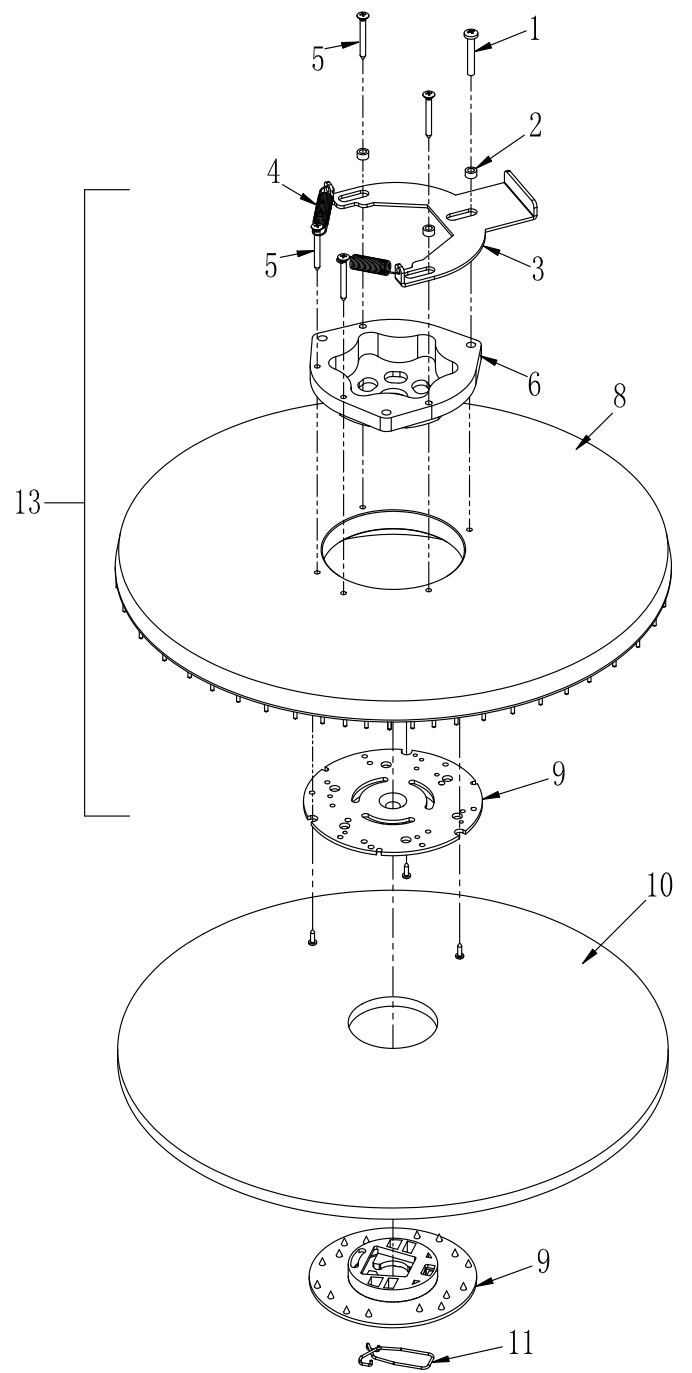
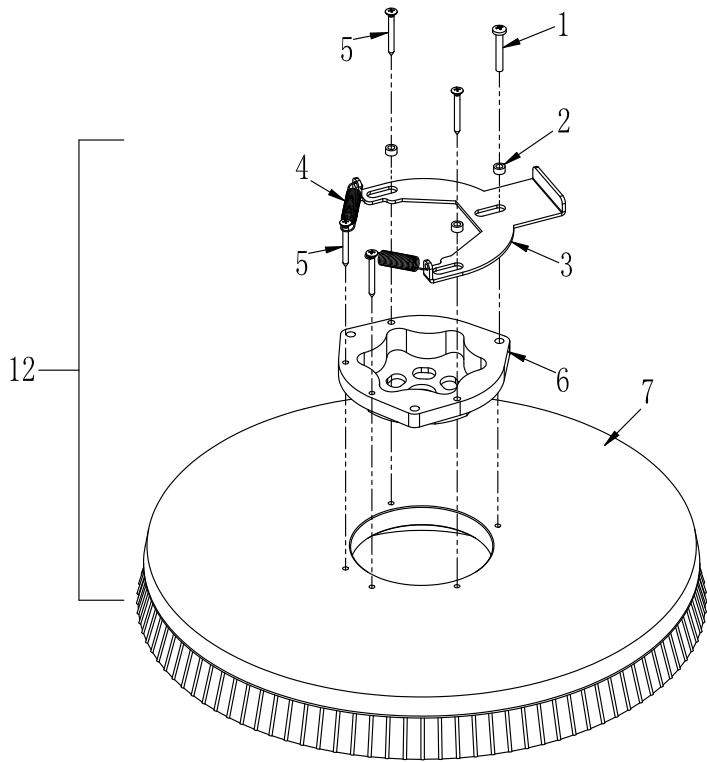
BRUSH SYSTEM



BRUSH SYSTEM

REF	CODE	DESCRIPTION	QTY
1	819	M3*12 Cross countersunk head screw	3
2	F501725	Brush motor cover	1
3	980007	Brush motor	2
4	818	M6*20 Cross semicircular head screw	9
5	FD3001667	Plate,cover,back blade	1
6	FD3001738	cover,back blade	1
7	190019	Pin,spring	1
8	570023	Tee connector	1
9	FD30016105	Pin 02	1
10	FD30016121	Pipe left	1
11	FD30016122	Pipe right	1
12	933	M6*20 Hex screw	10
13	XDT206001	Brush driver	2
14	FD3001666	Plate,cover,front blade	1
15	FD3001737	cover,front blade	1
16	FD3001662	Housing brush	1

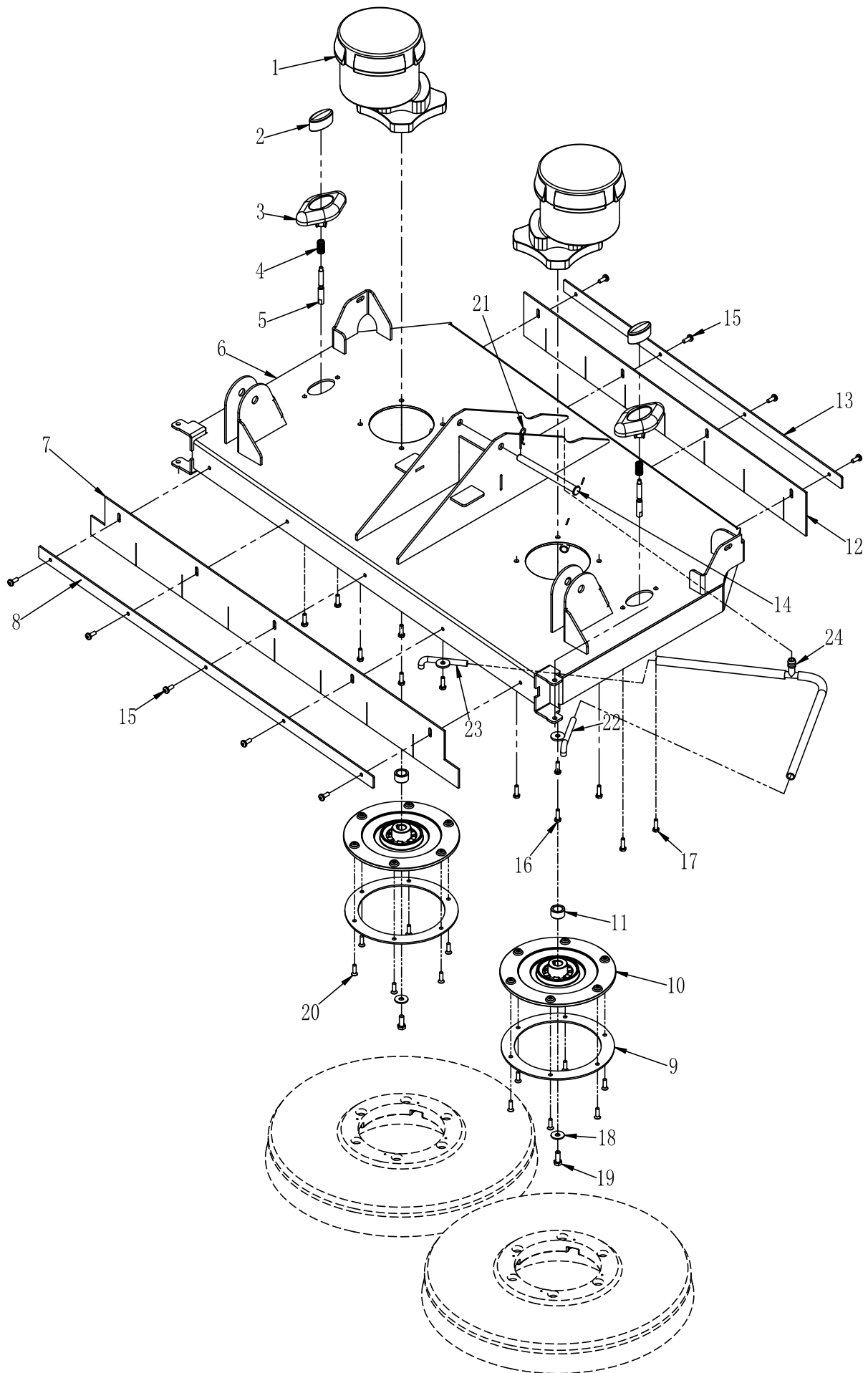
BRUSH GROUP



BRUSH GROUP

REF	CODE	DESCRIPTION	QTY
1	818	M6*35 十字圆头螺丝	1
2	FM004	粉末冶金	3
3	FD3001660	刷盘卡板	1
4	960013	拉簧	2
5	845	Φ4.8*35 自攻螺丝	4
6	S50103	刷盘带动器	1
7	S60117	刷盘	1
8	S60116	针盘	1
9	S50104	定心装置	1
10	S30108	百洁垫	1
11	T15010	定心装置弹簧	1
12		刷盘总成	1
13		针盘总成	1

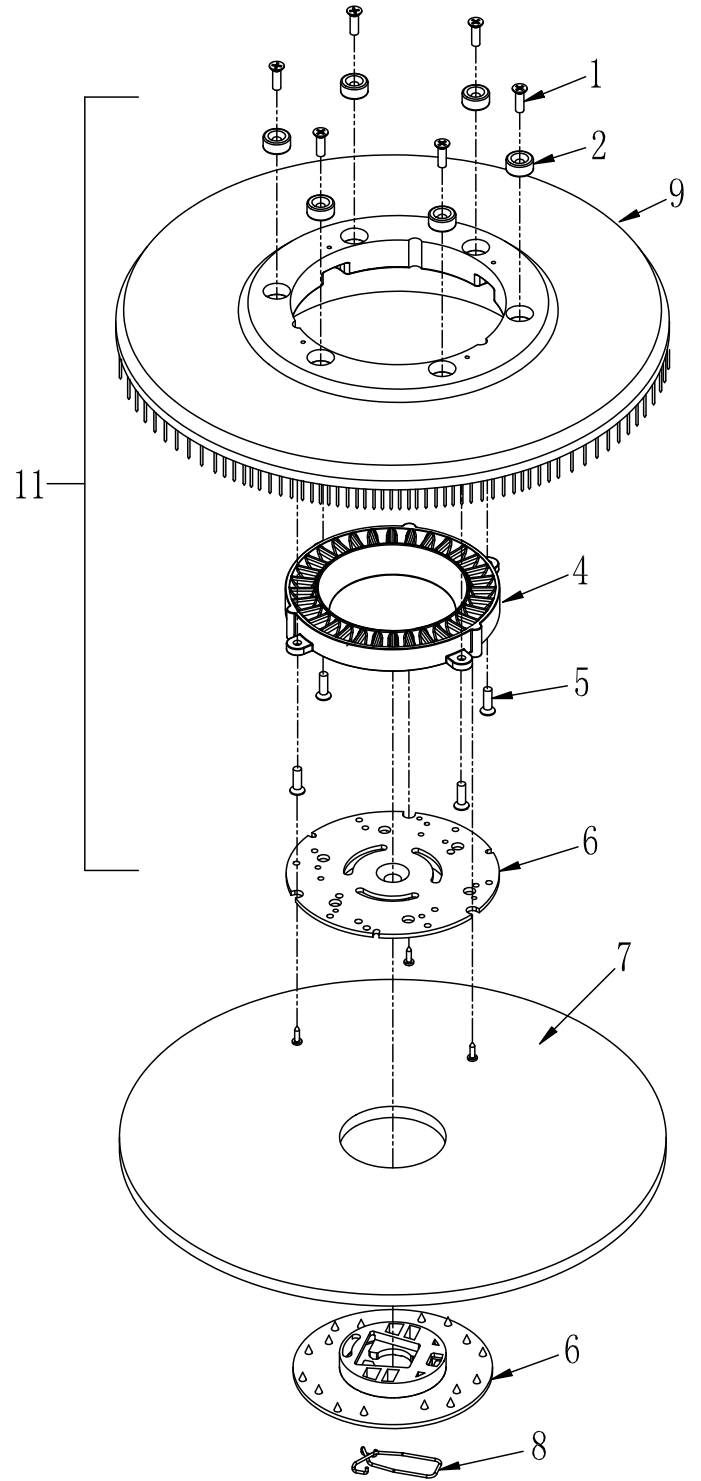
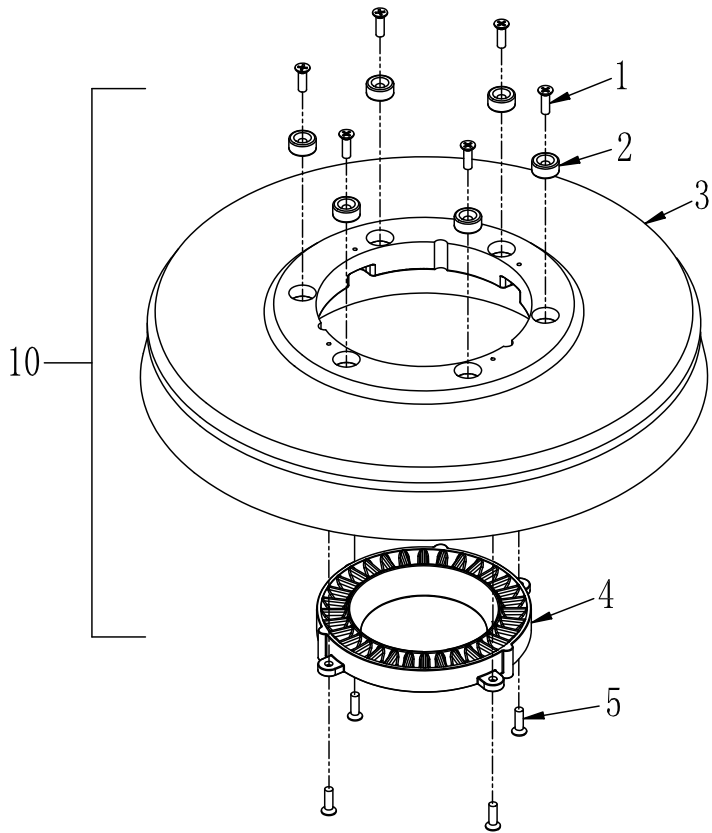
MAGNETIC BRUSH SYSTEM



MAGNETIC BRUSH SYSTEM

REF	CODE	DESCRIPTION	QTY
1	XDT280004	BRUSH MOTOR	2
2	270003P	Discharge brush button	2
3	FD1301739	Discharge button base	2
4	T13005	Discharge pin,spring	2
5	FD3001661	Discharge pin	2
6	FD3001662CL	Hosing,Magnetic brush	1
7	FD3001737	Front blade, hosing	1
8	FD3001666	Plate,front blade,hosing	1
9	260036PS	Brush driver assy	2
10	260030PS	Brush driver	2
11	FD3001669	Gasket,brush driver	2
12	FD3001738	Back blade, hosing	1
13	FD3001667	Plate,back blade,hosing	1
14	FD30016105	PIN 02	1
15	818	M6*20 Cross semicircular head screw	9
16	933	M6*20 Hex screw	8
17	933	M6*12 Hex screw	4
18	PD0008	Φ8*Φ12 Gasket	2
19	933	M8*20 Hex screw	2
20	819	M5*12 Cross countersunk head screw	12
21	190019	Spring,pin	1
22	FD30016121	Water pipe left	1
23	FD30016122	Water pipe right	1
24	570023	Tee connector	1

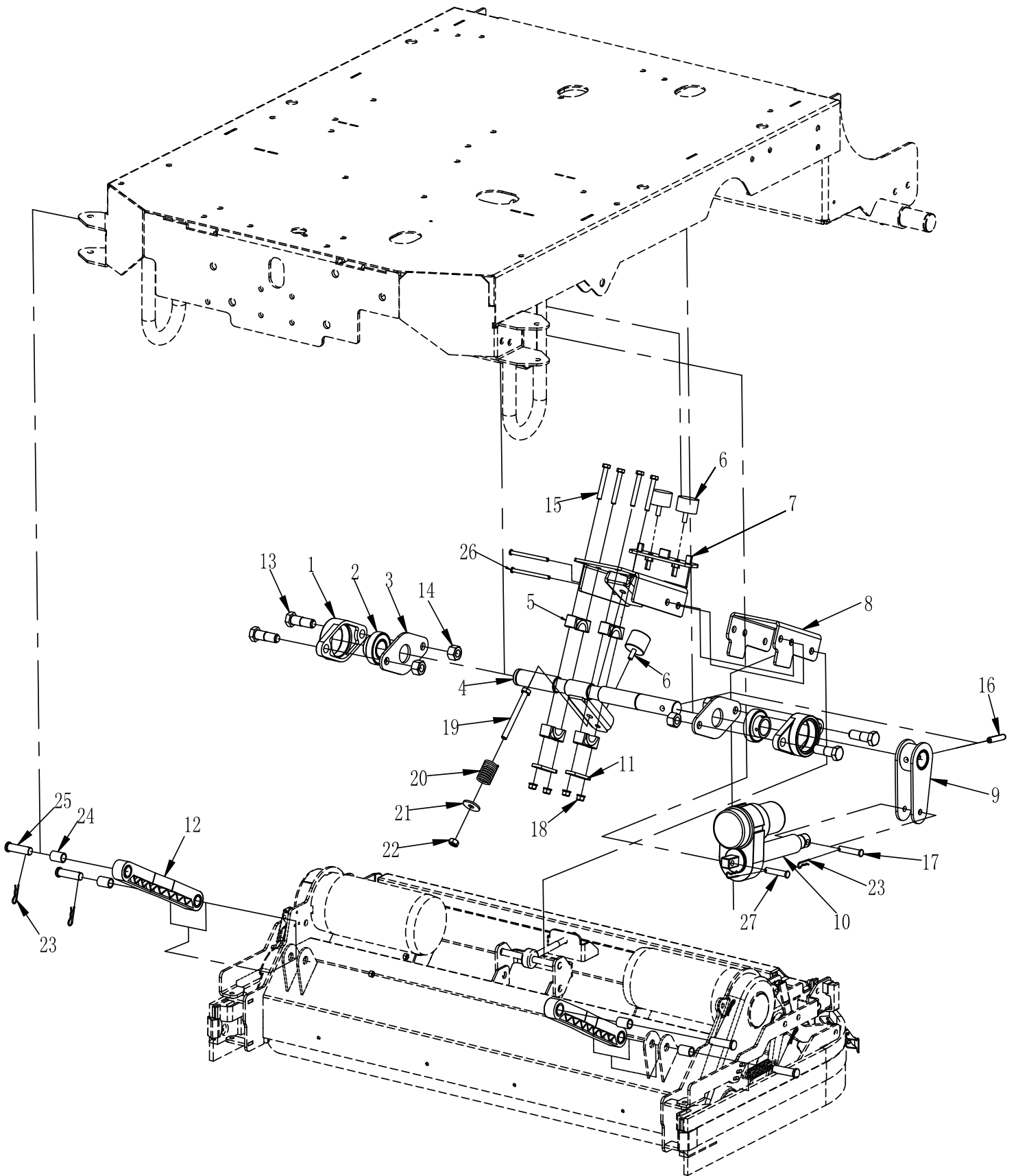
MAGNETIC BRUSH GROUP



MAGNETIC BRUSH GROUP

REF	CODE	DESCRIPTION	QTY
1	846	Φ6.3*25 SCREW	6
2	FD1301664 (大)	Magnet	6
3	S50117CL	Brush	1
4	F501714	Brush driver	1
5	846	Φ4.5*16 screw	4
6	S50104	Centering device	1
7		Cleaning pad	1
8	T15010	Spring	1
9	S50116CL	Pad holder	1
10		Magnetic brush assy	1
11		Magnetic pad holder assy	1

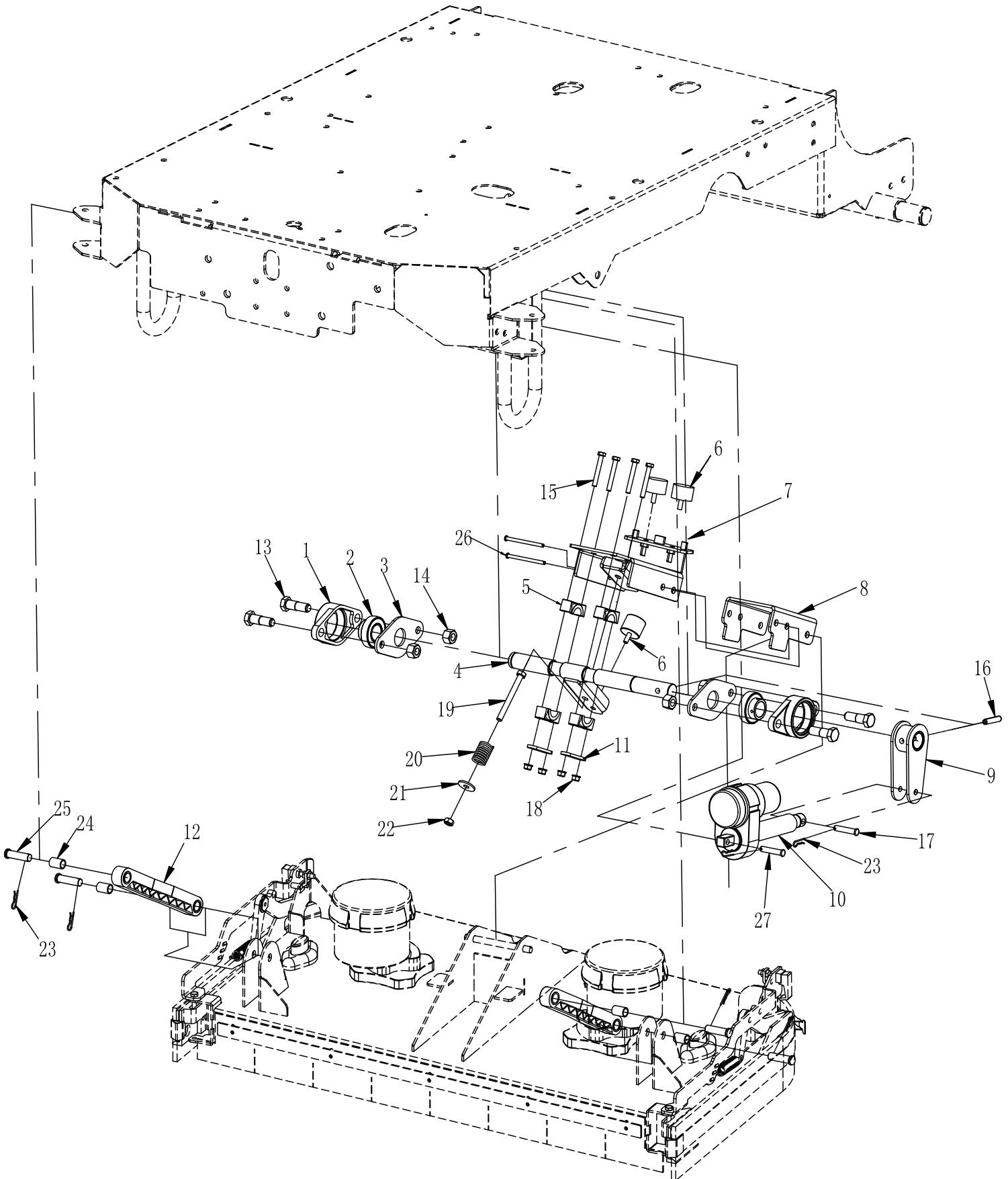
滚刷提拉系统



滚刷提拉系统

序号	编号	产品描述	数量
1	126	206 轴承套	2
2	125	206 轴承	2
3	FD1301639	206 轴承套压板	2
4	FD3001668	升降刷盘总轴	1
5	FD1301721	刷盘升降轴固定件	4
6	SD190005	橡胶减震垫 40*25	3
7	FD3001665	刷子升降限位	1
8	FD3001664	刷子主升降架	1
9	FD3001663	推杆连接件	1
10	FD3001801	刷盘推杆	1
11	FD1301641	刷子升降轴压板	2
12	570020	升降臂拉手	2
13	933	M16*50 外六角螺丝	4
14	934	M16 螺母	4
15	933	M8*60 外六角螺丝	4
16	FD1301612	Φ10*50 弹性销	1
17	260002P	固定销子	1
18	985	M8 不锈钢尼龙螺母	4
19	933	M10*120 外六角螺丝	1
20	TS0006	刷盘升降轴弹簧	2
21	PD96#	Φ10*30 垫片,M10	1
22	934	M10 螺母	1
23	190019	弹簧销	6
24	FM005	Φ18*Φ14 粉末冶金套	4
25	FD30016108	升降连杆销子	4
26	FD30016104	升降机构销子 01	2
27	190025	固定销子	1

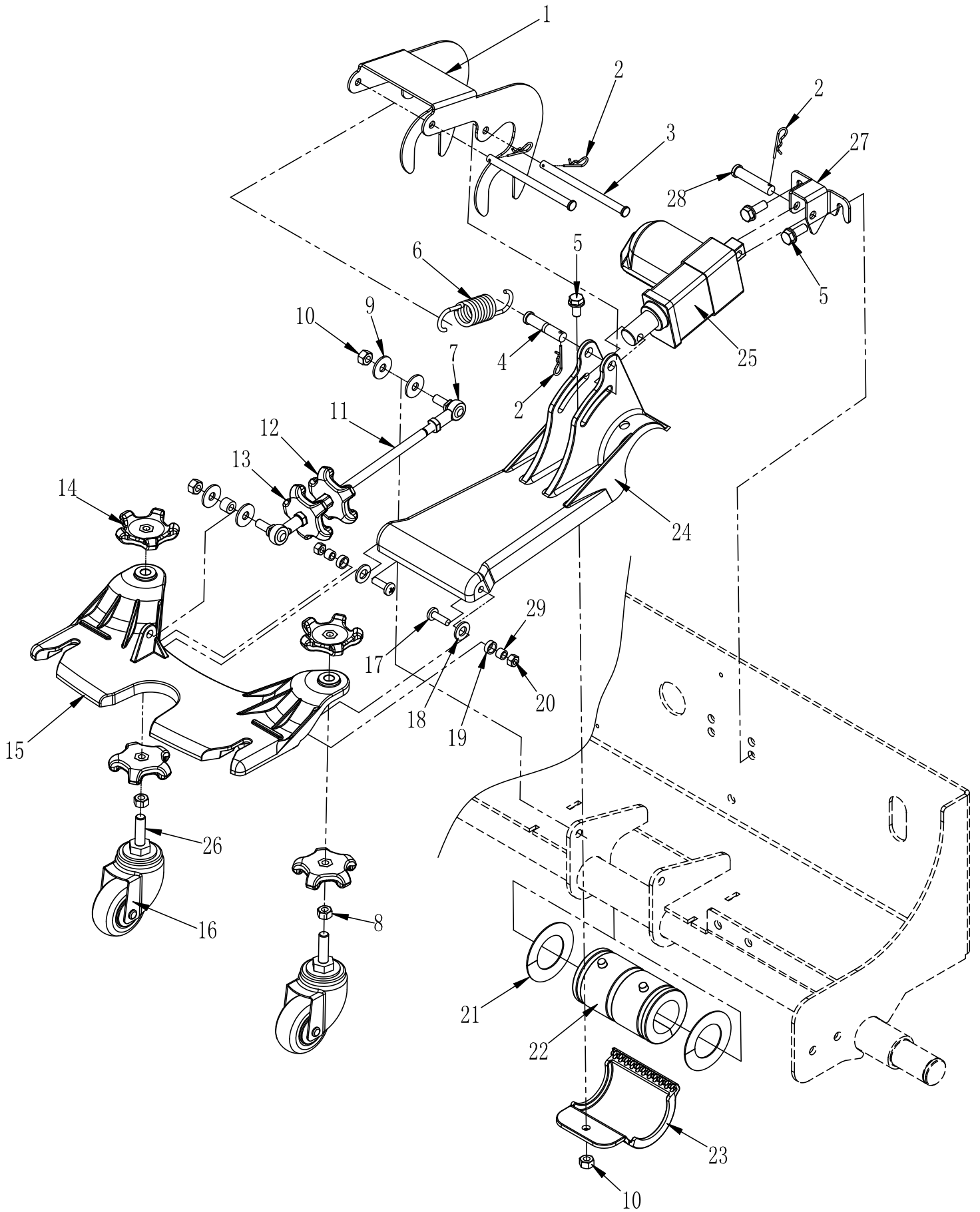
DISC BRUSH LIFTING SYSTEM



DISC BRUSH LIFTING SYSTEM

REF	CODE	DESCRIPTION	QTY
1	126	206 bearing sleeve	2
2	125	206 bearing	2
3	FD1301639	206 Plate Bearing sleeve	2
4	FD3001668	Lift brush Axle	1
5	FD1301721	Brush Lift Fix Axle	4
6	SD190005	Gasket 40*25	3
7	FD3001665	Brush lift limit	1
8	FD3001664	Brush lift holder	1
9	FD3001663	Bracket fix Brush motor	1
10	FD3001801	Pull rod,brush	1
11	FD1301641	Brush lift axle plate	2
12	570020	Handle, Lifting Arm	2
13	933	M16*50 hex screw	4
14	934	M16 Nut	4
15	933	M8*60 Hex screw	4
16	FD1301612	Φ10*50spring pin	1
17	260002P	pin	1
18	985	M8 Nut	4
19	933	M10*120 Hex screw	1
20	TS0006	Spring	2
21	PD96#	Φ10*30Gasket,M10	1
22	934	M10 Nut	1
23	190019	Spring pin	8
24	FM005	Φ18*Φ14 POWDER METALLURGY	4
25	FD3016108	Pin	4
26	FD30016104	Pin 01	2
27	190025	Pin	1

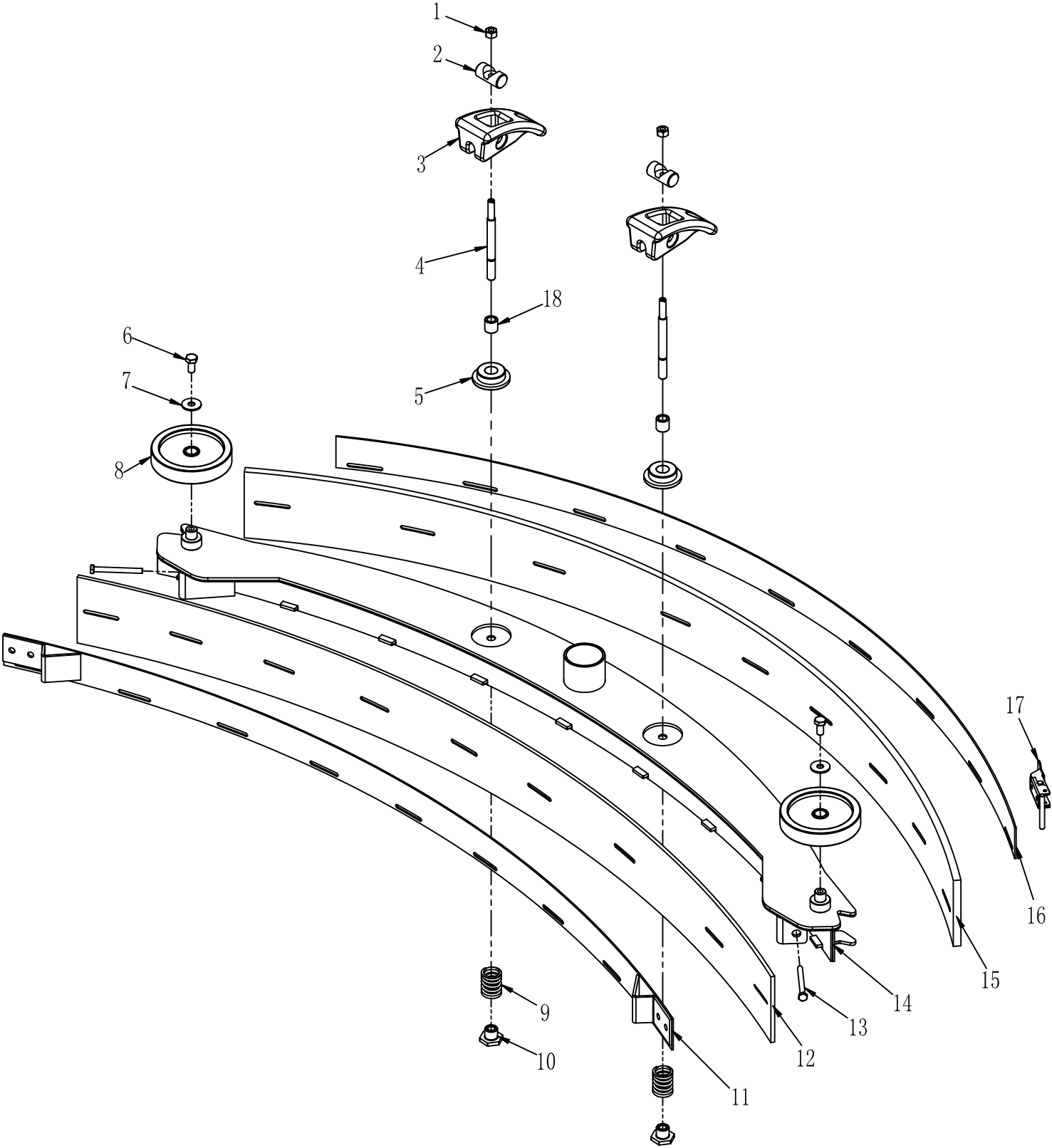
SQUEEGEE LIFTING GROUP



SQUEEGEE LIFTING GROUP

REF	CODE	DESCRIPTION	QTY
1	FD3001670	Squeegee lift spring bracket	1
2	190019	Spring pin	4
3	FD30016109	Squeegee lift spring pin	1
4	FD30016103	Spring pin	2
5	933	M10*20 Hex screw	3
6	TFD30001	Squeegee lift spring	1
7	FD1301625	Ball head joint	2
8	934	M12 Hex Nut	2
9	PD008	Φ10 Big gasket	4
10	934	M10 Hex Nut	3
11	FD3001611	Connect axle,squeegee adjust pole	1
12	FD3001710	Star knob with screw	1
13	FD300171	M10 Star knob	1
14	FD300172	M12 Star knob	4
15	FD3001671	Bracket	1
16	390016	universal wheel	2
17	818	M8*30 Screw	2
18	PD0021	nylon spacer	2
19	FM006	Φ12*Φ16*5.5 POWDER METALLURGY	2
20	934	M8 Hex Nut	2
21	FD3001742	PVC Gasket	2
22	FD3001913	Sleeve	2
23	FD3001672	Connection Plate Assy	1
24	FD3001673	Connection Plate	1
25	FD3001802	Pull rod,squeegee	1
26	933	M12*50 Hex screw	2
27	FD30016112	Pull rod,bracket	1
28	190025	Pin	1
29	FM001	Φ8*Φ12*8.5 POWDER METALLURGY	2

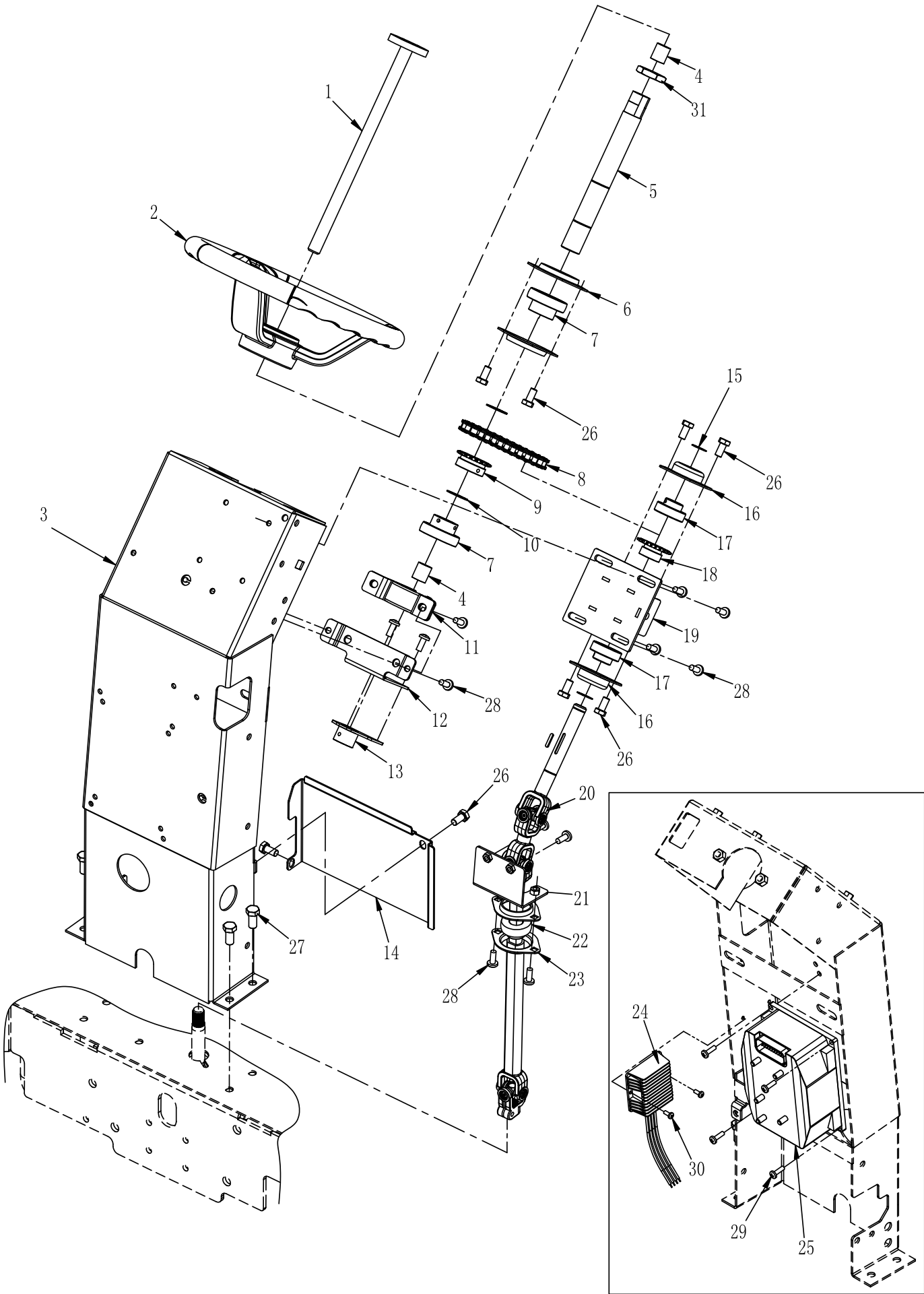
SQUEEGEE GROUP



SQUEEGEE GROUP

REF	CODE	DESCRIPTION	QTY
1	934	M8 Hex Screw	2
2	FD3001608	Axle,pin	2
3	FD3001741	Squeegee wrench	2
4	FD3001607	Fix screw	2
5	FD3001900	Squeegee cushion	2
6	933	M8*16 Hex screw	2
7	PD008	Gasket	2
8	690011	Fender wheel	2
9	TS0007	Spring	2
10	FD30016115	M10 Stainless Steel Hex nut	2
11	FD3001674	Plate,front squeegee blade	1
12	FD3001739	front squeegee blade	1
13	933	M6*60 Hex screw	2
14	FD3001675	Squeegee fame	1
15	FD3001740	Back squeegee blade	1
16	FD3001676	Plate,back squeegee blade	1
17	FD1301665	Tscrew	1
17	XDT206013	Pin	1
17	XDT206009	Large sleeve	1
17	FD1301611	Buckle	1
18	FD30016107	Axle sleeve	2

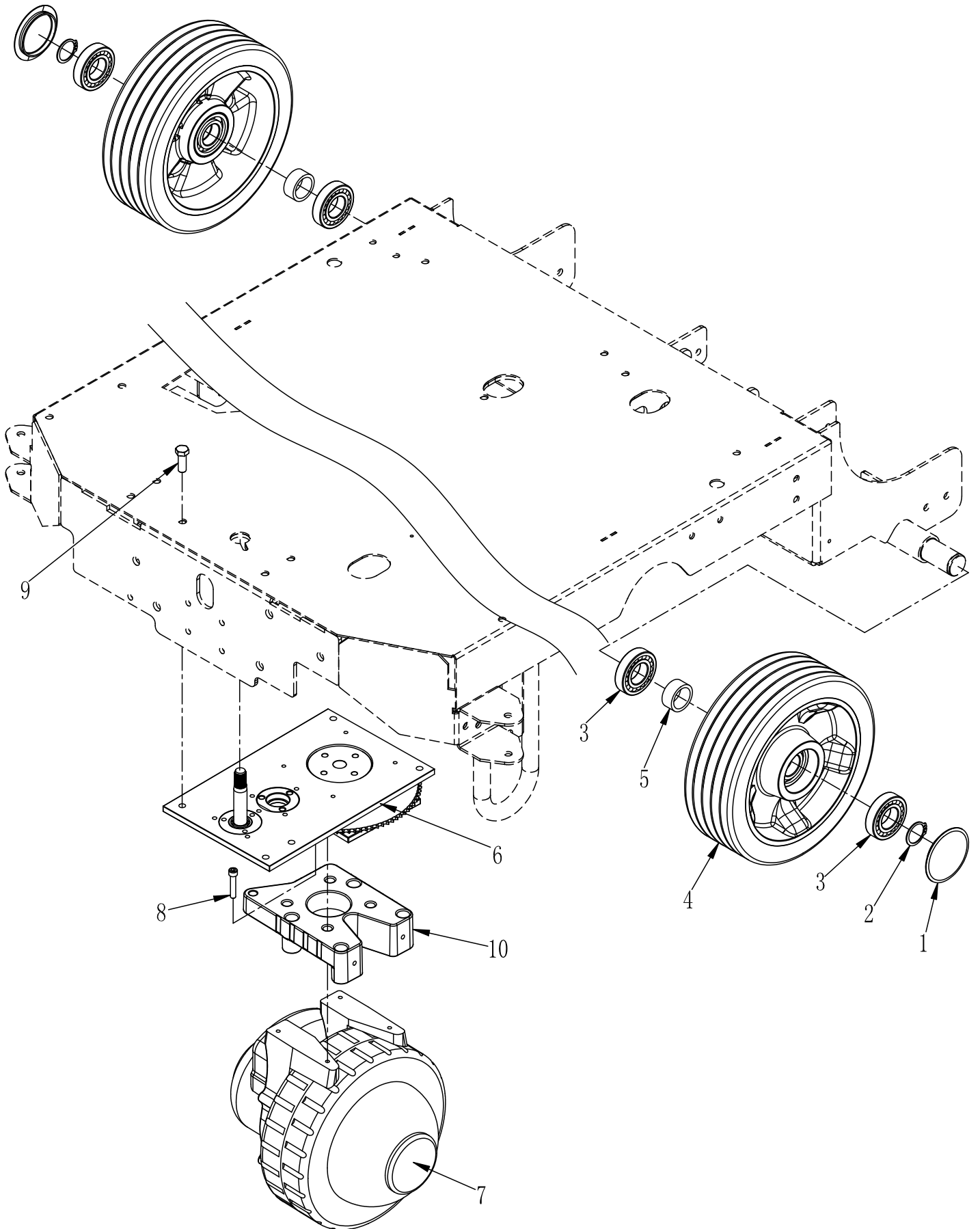
FRAME DRIVE GROUP



FRAME DRIVE GROUP

REF	CODE	DESCRIPTION	QTY
1	FD3001677	Control panel tube	1
2	XDT207001	steering wheel	1
3	FD3001686	stand column	1
4	FD3001746	steering wheel axle sleeve	2
5	FD3001684	steering wheel axle	1
6	135	PFL206 Axle plate	2
7	133	SB206 bearing	2
8		Chain	1
9	XDT206002	17 steering wheel chain wheel	1
10	893#	Φ30 Axle	2
11	134	PP206 bearing block	1
12	FD3001683	bearing bracket	1
13	FD3001682	Bracket	1
14	FD3001681	Cover plate	1
15	893#	Φ20 Axle	2
16	137	PFCL204 Bearing block	2
17	136	CSB204 Bearing	2
18	XDT206003	22 steering wheel chain	1
19	FD3001680	Bracket	1
20	XDT206005	steering axle	1
21	FD3001679	Bracket	1
22	138	SB204-12Axle	1
23	760032	PFL204 Axle plate	2
24	FD3001813	Electric converter	1
25	XDT280008	Controller (curis)	1
26	933	M10*20 Hex screw	8
27	933	M10*25 Hex screw	4
28	818	M8*20 screw	12
29	818	M6*20 screw	4
30	818	M5*20 screw	2
31	FD3001685	steering wheel hex nut	1

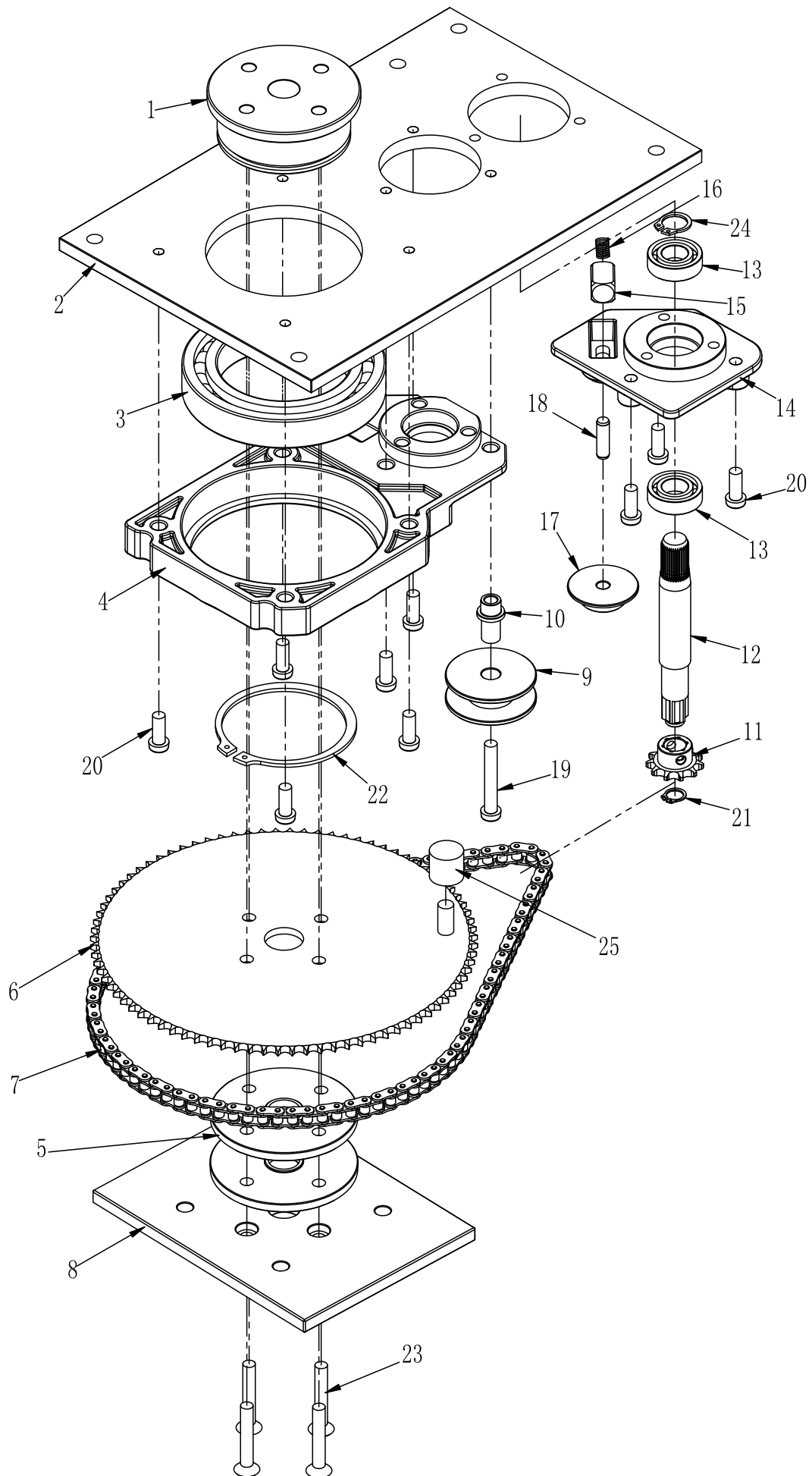
WHEEL GROUP



WHEEL GROUP

REF	CODE	DESCRIPTION	QTY
1	FD3001731	Wheel waterproof cover	2
2	893#	Φ35 Axle	2
3	123	6207 Bearing	4
4	XDT290001	Rear wheel	2
5	FD3001678	Gasket Bearing	2
6		Front drive steering system	1
7	XDT280002	Drive motor	1
8	933	M10*25 Hex screw	4
9	933	M10*25 Hex screw	5
10	FD3001634	Traction motor steering pad	1

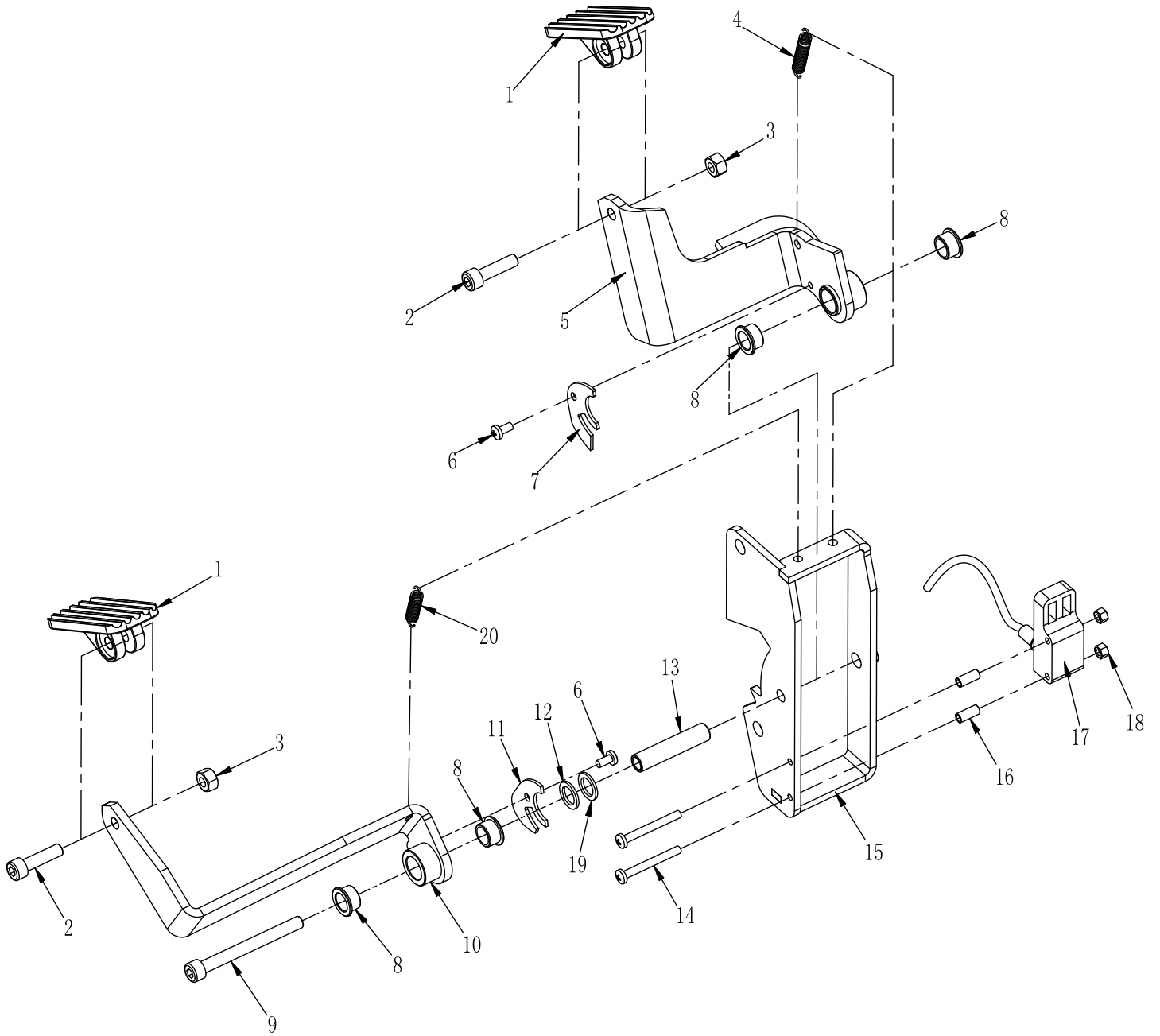
FRONT WHEEL STEERING ASSEMBLY



FRONT WHEEL STEERING ASSEMBLY

REF	CODE	DESCRIPTION	QTY
1	FD3001687	Main axle,steering	1
2	FD3001688	Steering fix plate	1
3	128	6017 Bearing	1
4	FD3001612	Bracket wheel steering	1
5	XDT206016	Gasket chain wheel	2
6	FD3001690	Big chain wheel	1
7		Chain	1
8	FD3001689	Steering bottom plate	1
9	FD3001744	Chain guide wheel	1
10	FD3001691	guiding axle	1
11	FD3001692	11small chain wheel	1
12	FD3001693	Axle,steering	1
13	127	6003 bearing	2
14	FD3001694	Bracket,steering axle	1
15	FD1301602	Steering	1
16	T13009	Spring,Steering	1
17	XDT207006	Chain wheel	1
18	FD1301603	Pin,Steering	1
19	912	M8*45 Hexagon socket head screw	1
20	912	M8*18 Hexagon socket head screw	9
21	893#	Φ12 Axle	1
22	893#	Φ85 Axle	1
23	7991	M8*65 Screw	4
24	893#	Φ18 Axle	1
25	190107	Gasket	1

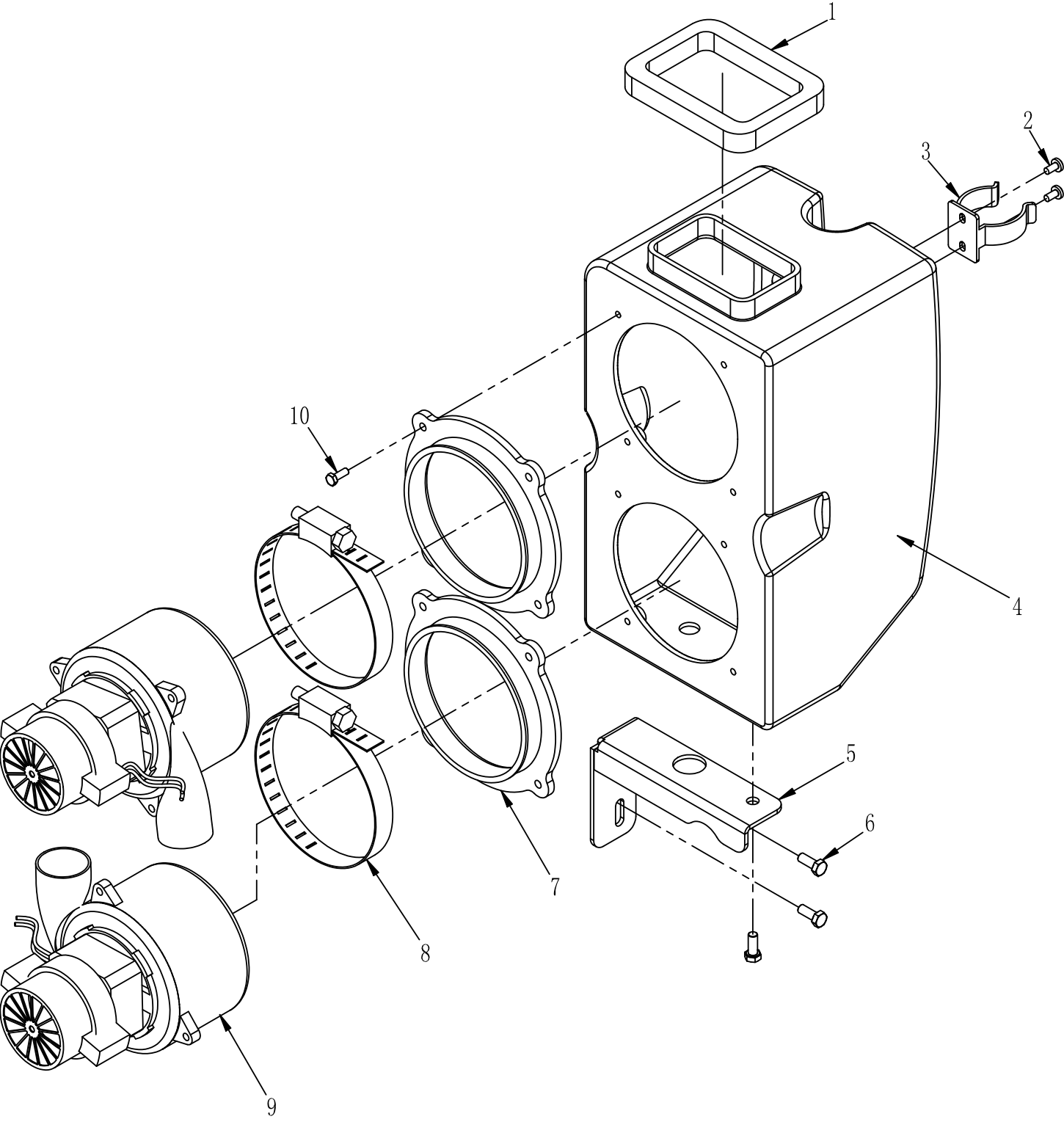
ACCELERATOR GROUP



ACCELERATOR GROUP

REF	CODE	DESCRIPTION	QTY
1	FD3001743	Pedal	2
2	933	M8*20 Hex screw	2
3	934	M8 Hex Nut	2
4	T12002	Spring	2
5	FD3001695	Brake bar	1
6	818	M5*10 Cross semicircular head screw	2
7	FD3001697	Brake sensor	1
8	XDT290003	copper sheathing	4
9	933	M8*80 Hex screw	1
10	FD3001696	Speed bar	1
11	FD3001698	Acceleration sensor	1
12	PD0025	Pole gasket	1
13	FD3001609	Accelerator tube	1
14	818	M4*50 screw	2
15	FD30016100	Accelerator holder	1
16	FD30016101	Sensor bushing	2
17	FD3001814	Speed sensor	1
18	934	M4 Hex Nut	2
19	PD0021	Nylon spacer (Mid)	1
20	T12003	Spring,recovery tank	1

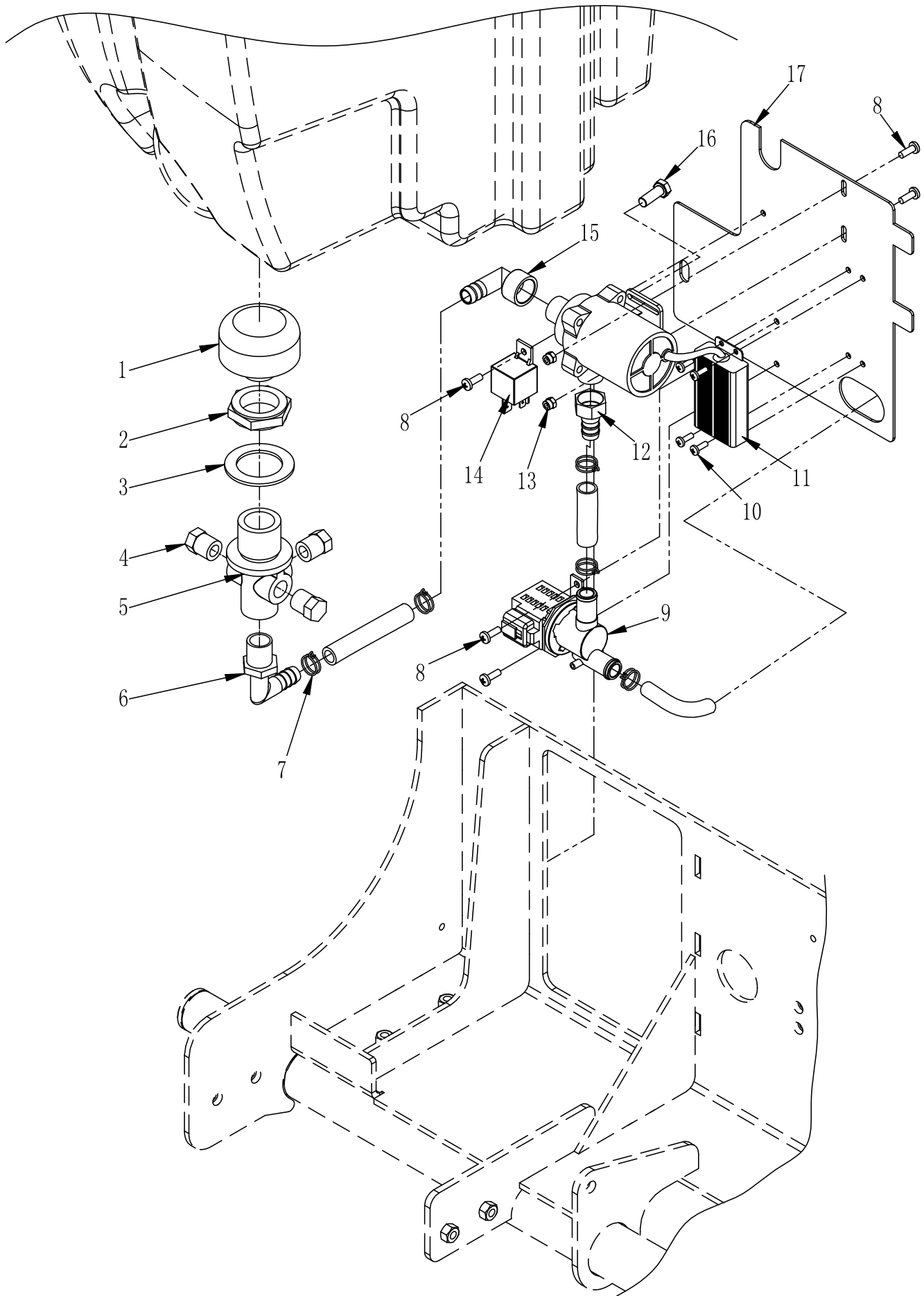
VACUUM MOTOR GROUP



VACUUM MOTOR

REF	CODE	DESCRIPTION	QTY
1	FD3001921	Sponge gasket	1
2	818	M6*12 Cross semicircular head screw	2
3	670016	Hose clip	1
4	FD3001719	Connector,dual motor	1
5	FD30016113	Dual motor plate	1
6	933	M8*20 Hex screw	3
7	XDT290002	Seal	2
8	FD3001922	Hoop 140-160	2
9	ZT20	Vacuum motor	2
10	933	M6*16 Hex screw	8

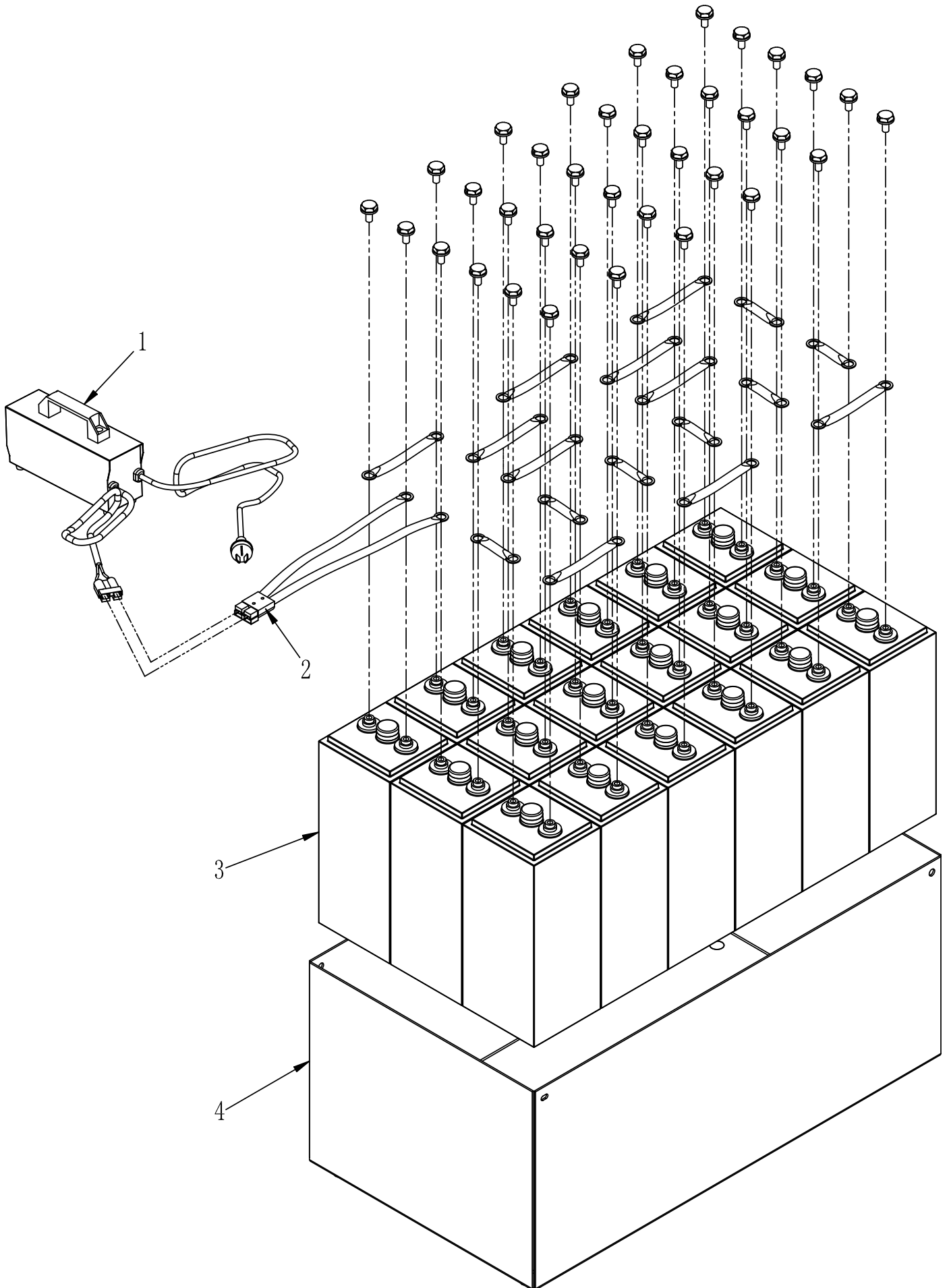
SOLENOID VALVE GROUP



Solenoid Valve group

REF	CODE	DESCRIPTION	QTY
1	FD1301908	Solution tank ,filter	1
2	FD300179	Nut,filter	1
3	FD300178	Gasket,filter	1
4	FD300175	Screw,filter	3
5	FD300173	Out water connector	1
6	570029	Curve connector,filter	1
7	190004	Clip,small	5
8	818	M5*14 Cross semicircular head screw	5
9	XDT280001	Solenoid valve	1
10	818	M4*12 Cross semicircular head screw	4
11	FD3001818	Water pump	1
12	FD3001924	Connector	1
13	985	M5 Lock nut	2
14	180015 (新)	Relay	1
15	FD3001914	Connector	1
16	818	M8*16 Hex connector	1
17	FD30016118	Mounting plate,solenoid valve	1

BATTERY



BATTERY

REF	CODE	SPECIFICATION	QTY
1	FD3001809	CHARGER	1
2		Main battery connecting line	1
3	FD3001916	BATTERY	18
4	FD3001639	Tray,battery	1